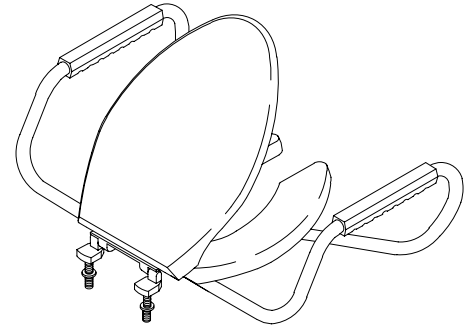


COMMERCIAL TOILET SEAT

K-4654-A, K-4655 K-4655-A

FEATURES

- *Elongated*
- *Solid plastic*
- *Open or closed front*
- *With support arms*
- *With cover*
- *Includes an anti-microbial agent formed into the plastic which inhibits the growth of bacteria and germs on the toilet seat*



CODES/STANDARDS APPLICABLE

Specified model meets or exceeds the following:

- *None applicable*

COLORS/FINISHES

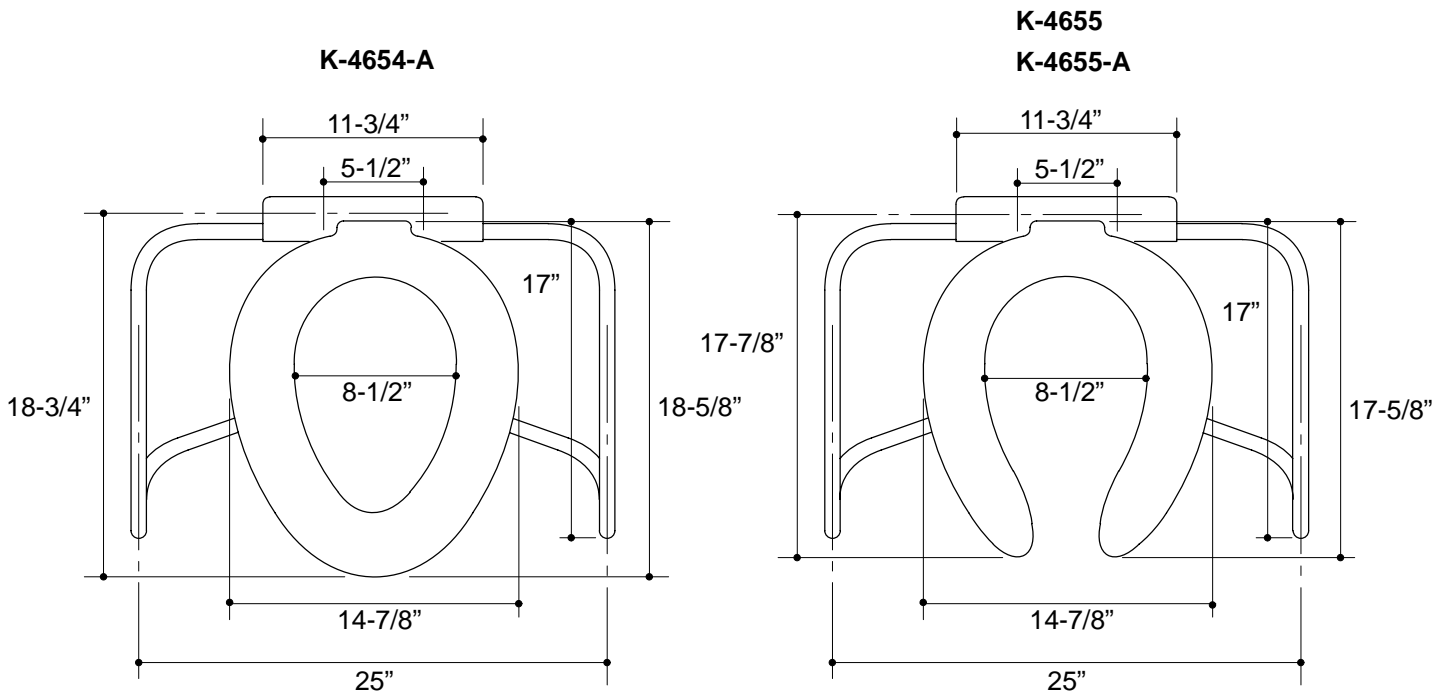
- 0 White

SPECIFIED MODEL:

Model	Description	Colors/Finishes
K-4654-A	Elongated open front seat with support arms, cover with anti-microbial agent toilet seat	<input type="checkbox"/> 0 White
K-4655	Elongated closed front seat with support arms, cover	<input type="checkbox"/> 0 White
K-4655-A	Elongated closed front seat with support arms, cover with anti-microbial agent toilet seat	<input type="checkbox"/> 0 White

PRODUCT SPECIFICATION:

The elongated toilet seat shall be either open or closed front. Toilet seat shall be made of solid plastic. Toilet seat shall have support arms. Toilet seat shall have a cover. Toilet seat shall include anti-microbial agent which inhibits the growth of bacteria and germs (-A). Toilet seat shall be Kohler Model K-_____-_____-_____.



PRODUCT DIAGRAM