

Ordering Information

Applicable product:		
Single-hole lavatory	K-2268-1	shown
8" centers lavatory	K-2268-8	not shown
Accessories/hardware		
Lavatory supplies, 3/8"	K-7605-P	recommended

Product Information

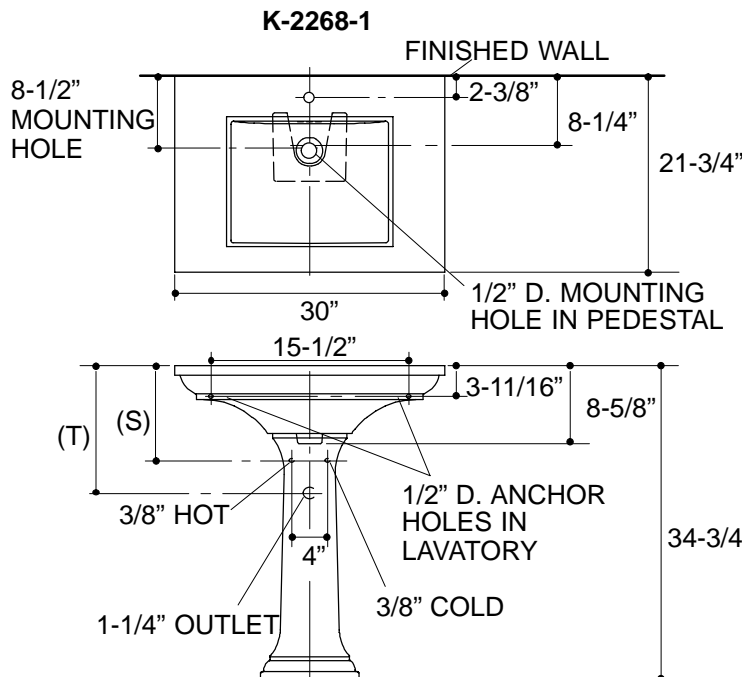
Fixture*:		basin area	water depth
Lavatory		18" x 14"	5"
Outlet	1-3/4" D.		
* Approximate measurements for comparison only.			

Holes	K-2268-1	K-2268-8	
Spout	1-3/8" D.	1-3/16" D.	
Faucet		1-7/16" D.	

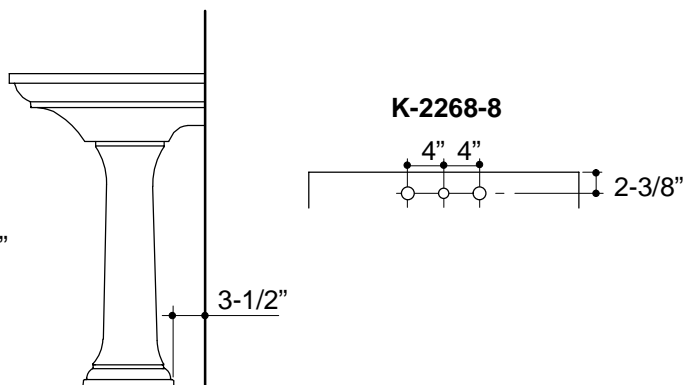
Included Components:	
Lavatory basin, single-hole	K-2269-1
Lavatory basin, 8" centers	K-2269-8
Pedestal	K-2267
Rubber pads	63069
Lavatory accessory pack	52204

Installation Notes

Refer to installation instructions included with fixture before beginning installation.



Roughing-In Notes
Fixture dimensions are nominal and conform to tolerances in ASME/ANSI Standard A112.19.9M.
(T) Pop-up drain 14-1/4", grid drain 13-3/8".
(S) 10" (Based on 12" riser which may require cutting).



.75<116