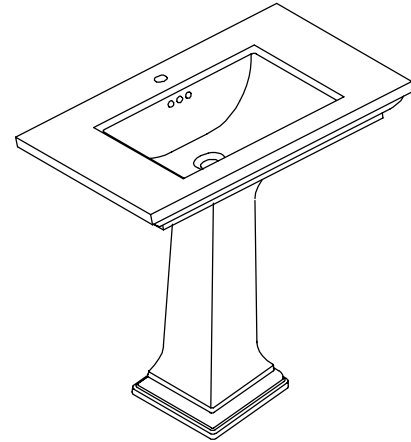


FEATURES

- 30" x 21-3/4" x 34-3/4"
- Fireclay
- Pedestal lavatory with stately design
- Single-hole (K-2268-1) or 8" centers (K-2268-8) drilling



CODES/STANDARDS APPLICABLE

Specified model meets or exceeds the following:

- ASME/ANSI A112.19.9M
- IAPMO/UPC
- Canadian Standards Association (CSA)

COLORS/FINISHES

- 0 White
- Other Refer to Fixtures Price Book for additional colors

Accessories:

- CP Polished Chrome
- Other Refer to Faucets Price Book for additional finishes

SPECIFIED MODEL:

Model	Description	Colors/Finishes	
K-2268-1	Single-hole lavatory	<input type="checkbox"/> 0 White	<input type="checkbox"/> Other_____
K-2268-8	8" centers lavatory	<input type="checkbox"/> 0 White	<input type="checkbox"/> Other_____

Recommended Accessories			
K-7605-P	Lavatory supplies 3/8" (pair)	<input type="checkbox"/> CP	<input type="checkbox"/> Other_____

PRODUCT SPECIFICATION:

The pedestal lavatory shall be 30" in length, 21-3/4" in width, and 34-3/4" in height. Pedestal lavatory shall be made of fireclay. Pedestal lavatory shall be stately design. Pedestal lavatory shall have single-hole (K-2268-1) or 8" centers (K-2268-8) drilling. Pedestal lavatory shall be Kohler Model K-2268-_____-_____.

PRODUCT INFORMATION

Fixture*:		basin area	water depth
Lavatory		18" x 14"	5"
Outlet	1-3/4" D.		
* Approximate measurements for comparison only.			

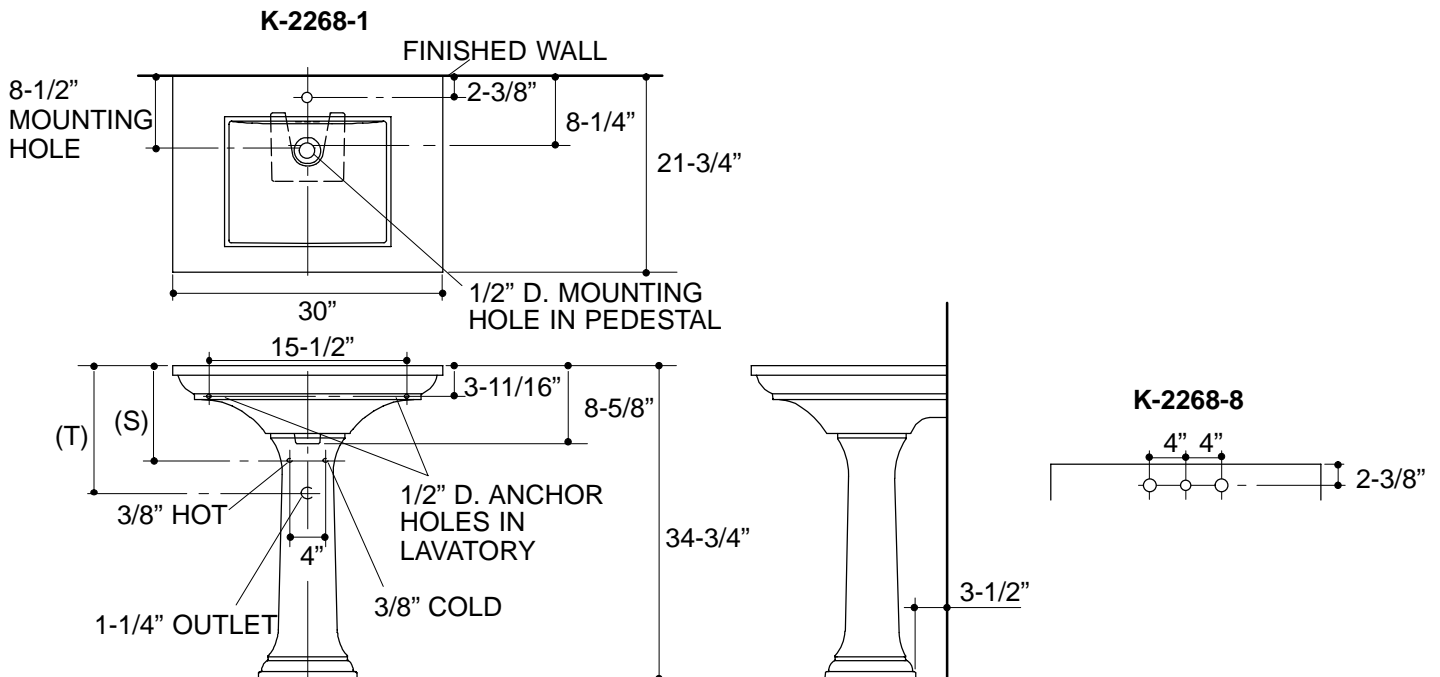
Holes	K-2268-1	K-2268-8	
Spout	1-3/8" D.	1-3/16" D.	
Faucet		1-7/16" D.	

Included Components:	
Lavatory basin, single-hole	K-2269-1
Lavatory basin, 8" centers	K-2269-8
Pedestal	K-2267
Rubber pads	63069
Lavatory accessory pack	52204

Roughing-In Notes

(T) Pop-up drain 14-1/4", grid drain 13-3/8".

(S) 10" (Based on 12" riser which may require cutting).



.75<116

PRODUCT DIAGRAM