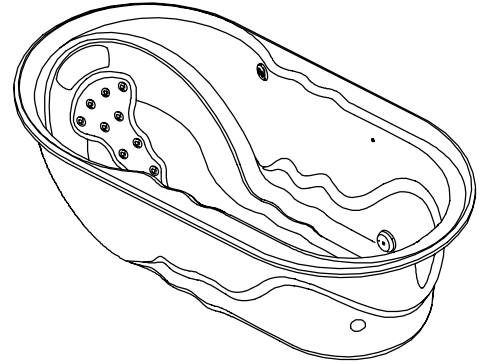


### FEATURES

- 66" x 35-3/4" x 22"
- Acrylic
- System III - 2 hp variable flow pump with integral heater, electronic switch, pulsating neckjets with pillow, and 2 Flexjets for foot massage
- Ten color-matched sequencing Bodyssage™ backjets
- UL Listed
- LESS ALL TRIM
- Drilled for K-9653 grip rails
- Pump is supplied with a grounding-type plug-in cord



### CODES/STANDARDS APPLICABLE

Specified model meets or exceeds the following:

- ANSI Z124.1
- ASME/ANSI A112.19.7M
- IAPMO/UPC
- Underwriters Laboratories (UL)
- State of Massachusetts

### COLORS/FINISHES

- 0 White
- Other Refer to Fixtures Price Book for additional colors

#### Accessories:

- CP Polished Chrome
- PB Polished Brass
- Other Refer to Faucets Price Book for additional finishes

### SPECIFIED MODEL:

Model	Description	Colors/Finishes	
K-1346	Bath whirlpool	<input type="checkbox"/> 0 White	<input type="checkbox"/> Other_____

Required Accessories				
K-9392	Jet trim kit	<input type="checkbox"/> CP	<input type="checkbox"/> PB	<input type="checkbox"/> Other_____
K-9653	Grip rails (pair)	<input type="checkbox"/> CP	<input type="checkbox"/> PB	<input type="checkbox"/> Other_____
Recommended Accessories				
K-7161	Drain	<input type="checkbox"/> CP	<input type="checkbox"/> PB	<input type="checkbox"/> Other_____

### PRODUCT SPECIFICATION:

The bath whirlpool shall be 66" in length, 35-3/4" in width, and 22" in height. Bath whirlpool shall be made of acrylic. Bath whirlpool shall have System III, 2 hp variable flow pump with integral heater, electronic switch, pulsating neckjets with pillow, and 2 Flexjets for foot massage. Bath whirlpool shall have 10 color-matched sequencing Bodyssage™ backjets. Bath whirlpool shall be UL listed. Bath whirlpool shall be less all trim. Bath whirlpool shall be drilled for K-9653 grip rails. Bath whirlpool pump shall be supplied with a grounding-type plug-in cord. Bath whirlpool shall be Kohler Model K-1346-\_\_\_\_\_.

# WATERSCAPE

## REQUIRED ELECTRICAL SERVICE

Dedicated circuit required, protected with Class A Ground-Fault Circuit-Interrupter (GFCI):	
Pump/control	120 V, 20 A, 60 Hz

## PRODUCT INFORMATION

Fixture*:	basin area	top area	weight	
Bathing well	42" x 24"	58" x 27"	120 lbs.	
	water depth	capacity		
To overflow	16"	78 gals.		
* Approximate measurements for comparison only.				
Pump:	HP	V	Hz	A
1-speed	2	120	60	18.5
Included Components:				
Cutout template	115741-7			

## INSTALLATION NOTES

If installing a rim-mount faucet, make sure there is no interference with drain overflow and circulating system before drilling any holes. Consult local and national codes for minimum air gap requirements if installing a spout on the faucet deck.

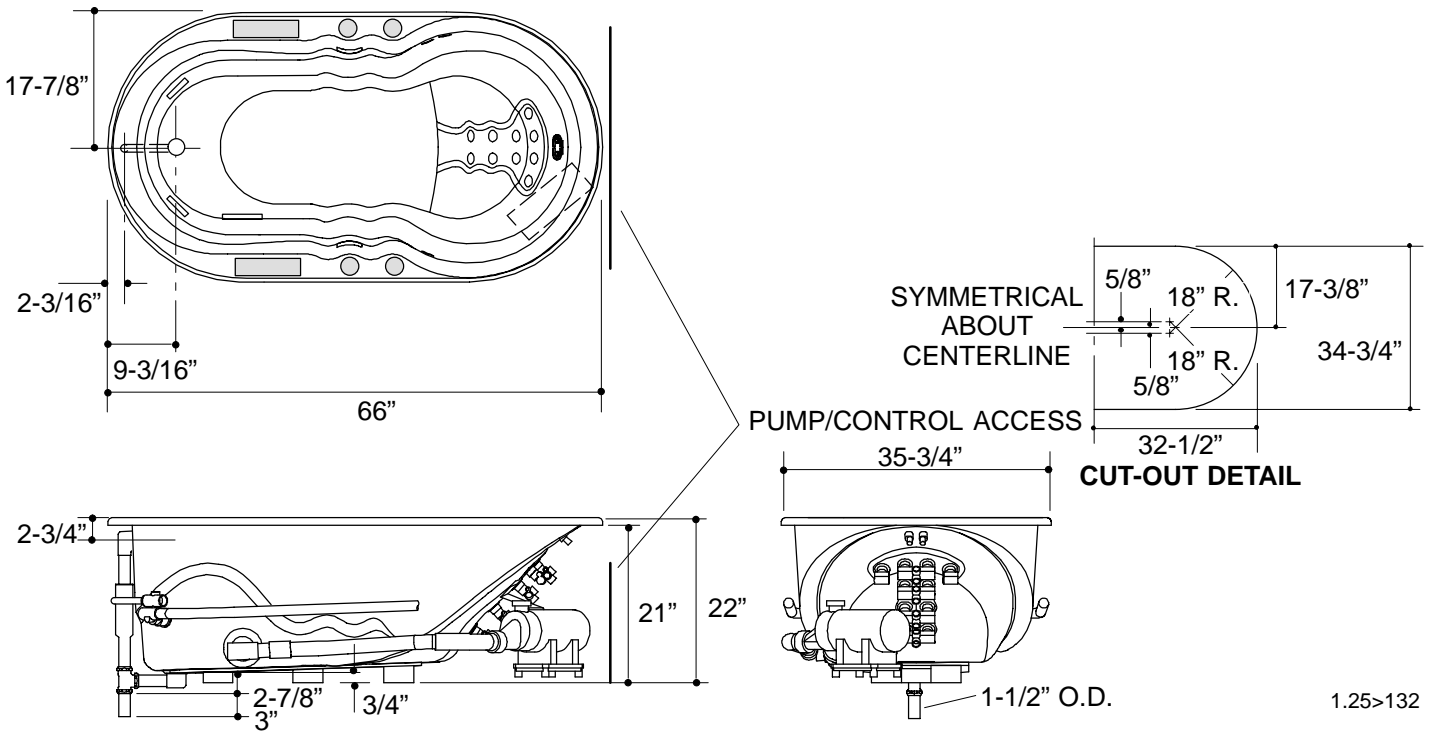
Each pump is supplied with a grounding type plug-in cord. Locate the outlet behind the whirlpool, and within 24" of the pump.

### Roughing-In Notes

No change in measurements if connected with drain illustrated.

Minimum access:

Pump/control	30" W x 16" H panel	required
Faucet area		recommended



## PRODUCT DIAGRAM