

Ordering Information

Applicable product:		
Single-hole lavatory	K-2269-1	shown
203mm centers lavatory	K-2269-8	not shown

Product Information

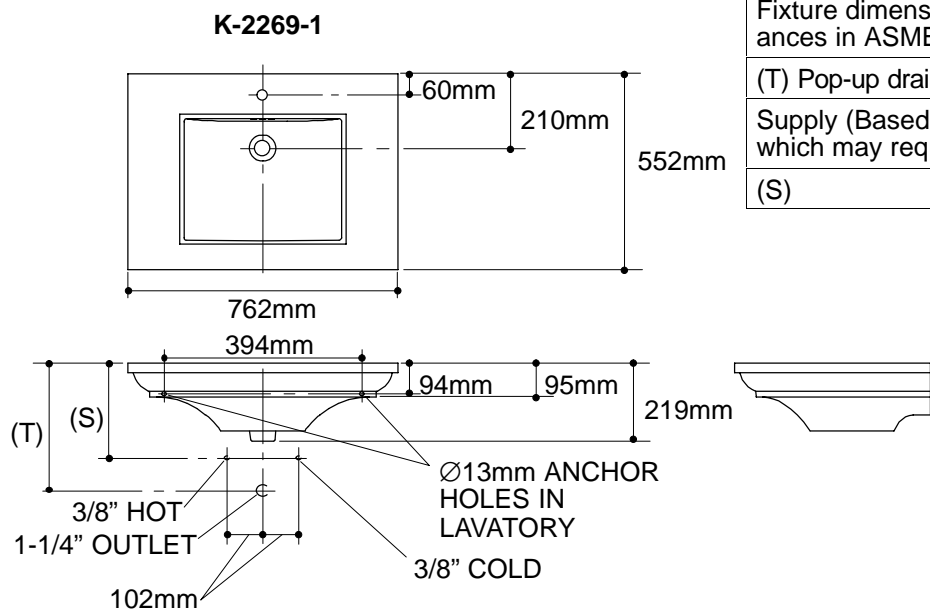
Fixture*:		basin area	water depth
Lavatory		457 x 356mm	127mm
Outlet	Ø44mm		
* Approximate measurements for comparison only.			

Holes	K-2269-1	K-2269-8	
Spout	Ø35mm	Ø30mm	
Faucet		Ø37mm	

Included Components:	
Adhesive sealant	63034
Lavatory accessory pack	52204
Cutout template	115742-7

Installation Notes

Refer to installation instructions included with fixture before beginning installation.

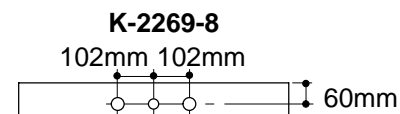


Roughing-In Notes

Fixture dimensions are nominal and conform to tolerances in ASME/ANSI Standard A112.19.9M.

(T) Pop-up drain 362mm, grid drain 340mm.

Supply (Based on 305mm riser which may require cutting).	K-2269-1	K-2269-8
(S)	254mm	356mm



.75<116