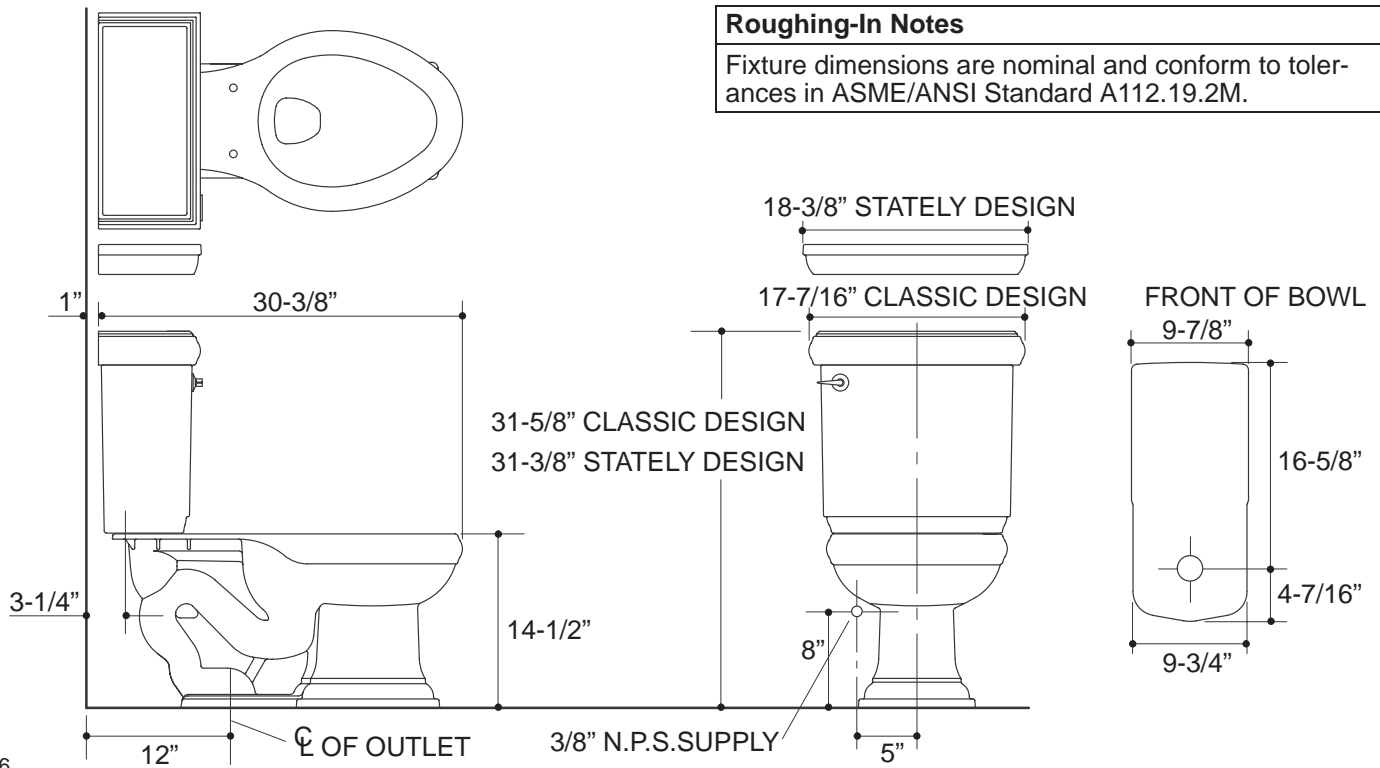


Ordering Information

Applicable product:		
Toilet with classic design	K-3429	shown
Toilet with insuliner and classic design	K-3429-U	not shown
Toilet with stately design	K-3439	not shown
Toilet with insuliner and stately design	K-3439-U	not shown
Accessories/hardware		
3/8" supply	K-7637	recommended
Floor bolts (pr.)	21401	recommended
Seat	K-4653	recommended

Product Information

Fixture:	
Configuration	2-piece, elongated
Gallons per flush	1.6
Passageway	2"
Water depth from rim	5-3/8"
Seat post hole centers	5-1/2"
Included components:	
Bowl	K-4254
Tank with classic design	K-4454
Tank with stately design	K-4464
Tank cover, classic design	84406
Tank cover, stately design	84407
Trip lever	K-9439



116