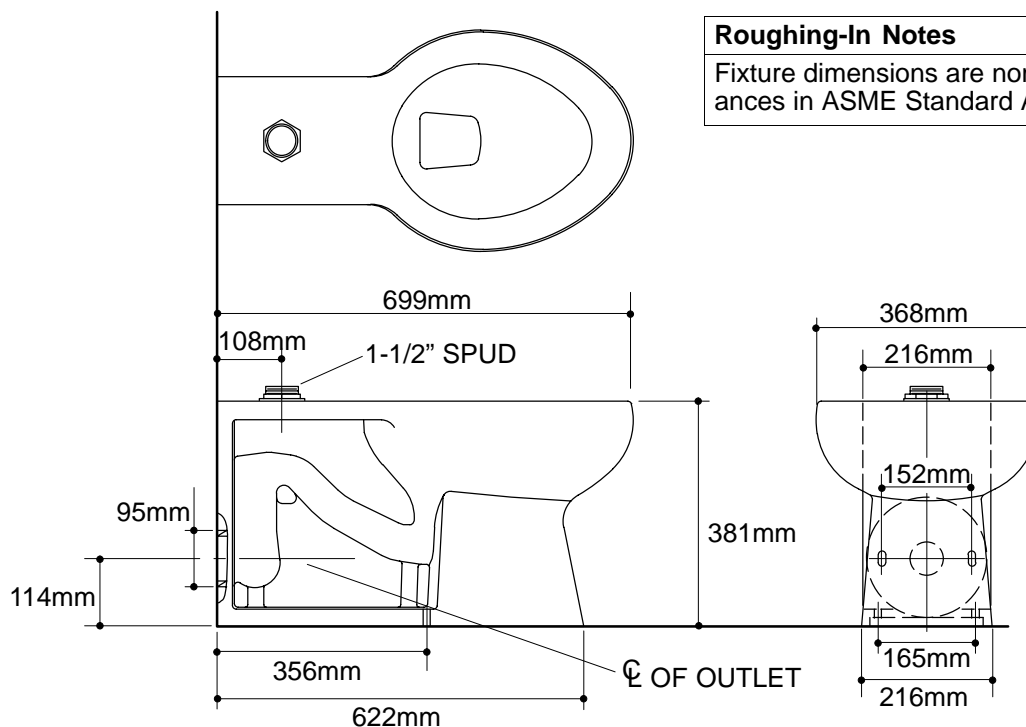


**Ordering Information**

Accessories/hardware:		
Floor bolts (pr.)	21401	recommended

**Product Information**

Fixture:	
Configuration	Top spud, elongated with integral seat
Litres per flush	6 litres*
Spud size	1-1/2"
Passageway	60mm
Water area	279 x 241mm
Water depth from rim	133mm
* Designed to flush with 6 litres of water when installed with a 6 lpf valve.	
Included Components:	
Spud	18357
Bolt caps (pr.)	52048
Floor screws (pr.)	21402
Flush valve requirements: Refer to manufacturer and local codes.	



**Roughing-In Notes**  
 Fixture dimensions are nominal and conform to tolerances in ASME Standard A112.19.2M.

1.25>116