

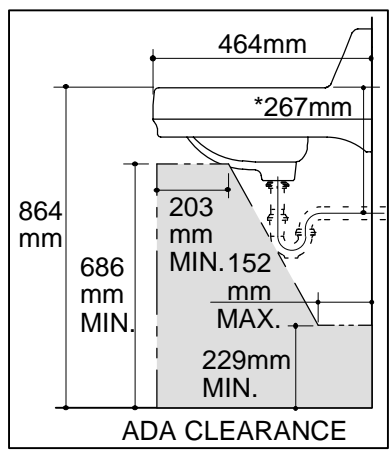
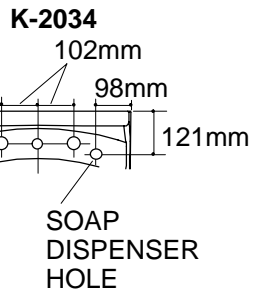
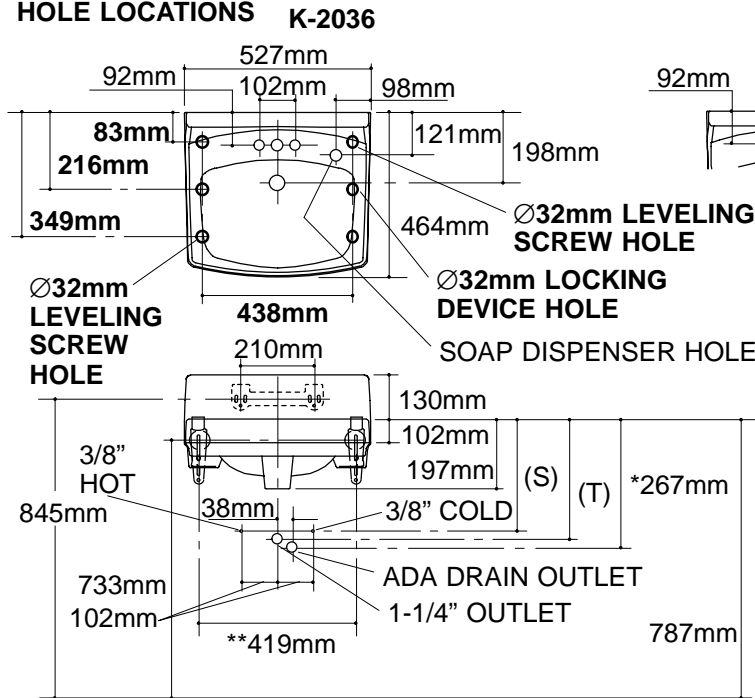
### Ordering Information

Applicable product:		
102mm centers lavatory	K-2036	shown
203mm centers lavatory	K-2034	not shown
Accessories/hardware:		
Brackets	K-1808-P	optional
Trap	K-8998	optional

### Product Information

ADA compliant.			
Fixture*:		basin area	water depth
Lavatory		381 x 254mm	83mm
Outlet	Ø44mm		
*Approximate measurements for comparison only.			
Holes	<b>K-2036</b>	<b>K-2034</b>	
Spout	Ø30mm	Ø30mm	
Faucet	Ø30mm	Ø37mm	
Soap dispenser	Ø32mm	Ø32mm	
Included Components:			
Hanger			64839
Supplied hanger not used with concealed arm carrier.			

### CONCEALED ARM HOLE LOCATIONS



<b>Roughing-In Notes</b>
Fixture dimensions are nominal and conform to tolerances in ASME Standard A112.19.2M.
*Based on K-8998, with 25mm of tailpiece exposed.
**Dimensions from centerline to centerline of brackets.
(T) Pop-up drain 340mm, grid drain 318mm.
(S) 356mm (Based on 305mm riser which may require cutting).

.75<116