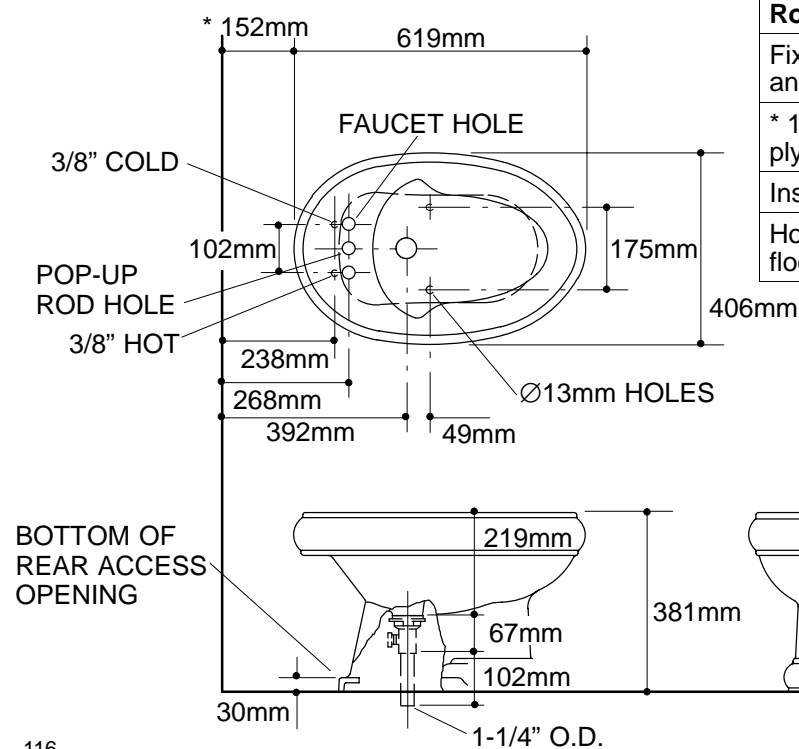


Ordering Information

Accessories/hardware:		
Trap	K-9018	recommended
Flair™ Lever faucet	K-6226-4	recommended
Taboret® LX faucet	K-8240	recommended
Taboret base faucet	K-8240-K	recommended
Triton™ /Finesse™ /Flair Acrylic base faucet	K-9279-K	recommended
Alterna™ faucet	K-9299-2	recommended
Paladar™ faucet	K-14532	recommended
Coralais™ base faucet	K-15894-K	recommended
Revival™ faucet	K-16131	recommended

Product Information

Fixture:	
Configuration	Faucet deck
Outlet	Ø44mm
Faucet hole	Ø30mm
Pop-up rod hole	Ø30mm
Included Components:	
Floor screws and bolt caps	52049



Roughing-In Notes

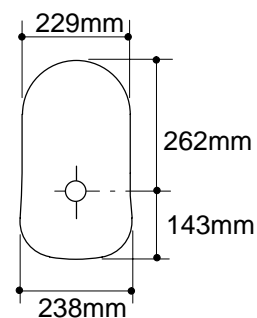
Fixture dimensions are nominal and conform to tolerances in ASME/ANSI Standard A112.19.2M.

* 152mm dimension required to allow for drain and supply connection from rear of bidet.

Install trap in drain line below floor.

Hot and cold supply locations should be installed from floor.

FRONT OF BIDET



116