

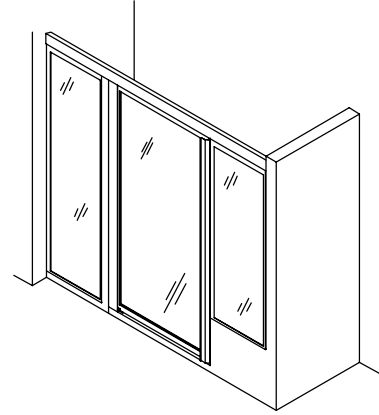
FEATURES

- Reversible header
- 1" adjustability per side
- 2" size range
- Soft touch foam handle insert
- Corrosion resistant
- Stainless steel hardware
- Full length magnetic strip
- Watertight design
- Right or left door swing

CODES/STANDARDS

Specified model meets or exceeds the following:

- ANSI Z97.1 (tempered glass)



GLASS OPTIONS

- B Obscure
- L Clear

COLORS/FINISHES

- 0 White
- SH Bright Silver Finish
- BH Bright Brass Finish

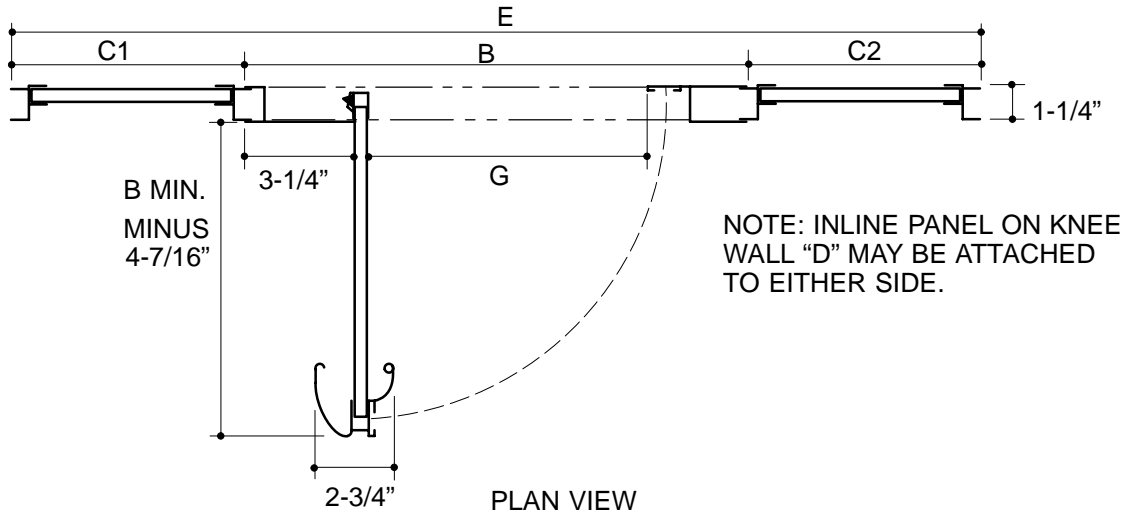
SPECIFIED MODEL:

| Model | Application | Glass Options | | Frame Finishes/Colors | | |
|-----------------|-------------|--------------------------|--------------------------|--------------------------|--------------------------|--------------------------|
| | | B | L | SH | BH | 0 |
| K-771400 Custom | Shower | <input type="checkbox"/> | <input type="checkbox"/> | <input type="checkbox"/> | <input type="checkbox"/> | <input type="checkbox"/> |

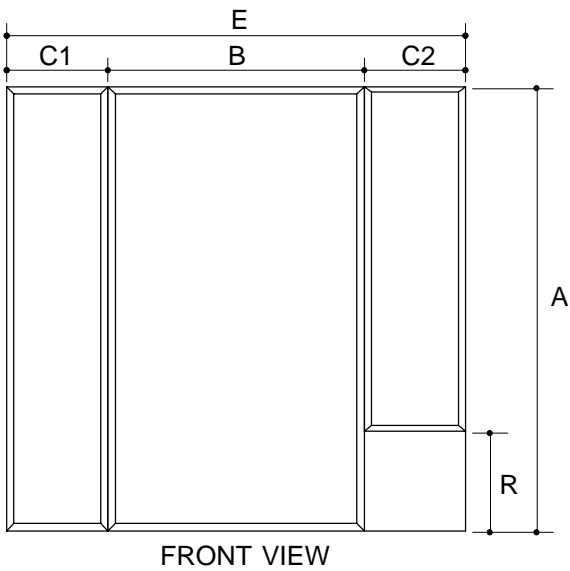
PRODUCT SPECIFICATION:

Focal pivot with in-line panel and inline panel on knee wall shower door shall have reversible header. Door shall include 1" adjustability per side and 2" size range. Door handle shall have soft touch foam handle insert. Door shall be corrosion resistant and have stainless steel hardware, with full length magnetic strip. Door shall feature watertight design, with right or left door swing. Shower door shall be Kohler Model K-771400 Custom.

FOCAL



| ROUGHING-IN NOTES | A | B | C1 | C2 | E | G (MAX.) |
|-----------------------------------|---------|---------|--------|--------|---------|----------|
| K-771400 Custom | 60"-72" | 28"-36" | 8"-18" | 8"-18" | 44"-72" | 22"-28" |
| R—Specified when ordered—MAX. 52" | | | | | | |



PRODUCT DIAGRAM

K-771400 Focal Pivot Shower Doors

Page 2 of 2
115787-4-DA (-)

THE BOLD LOOK
OF **KOHLER**®