

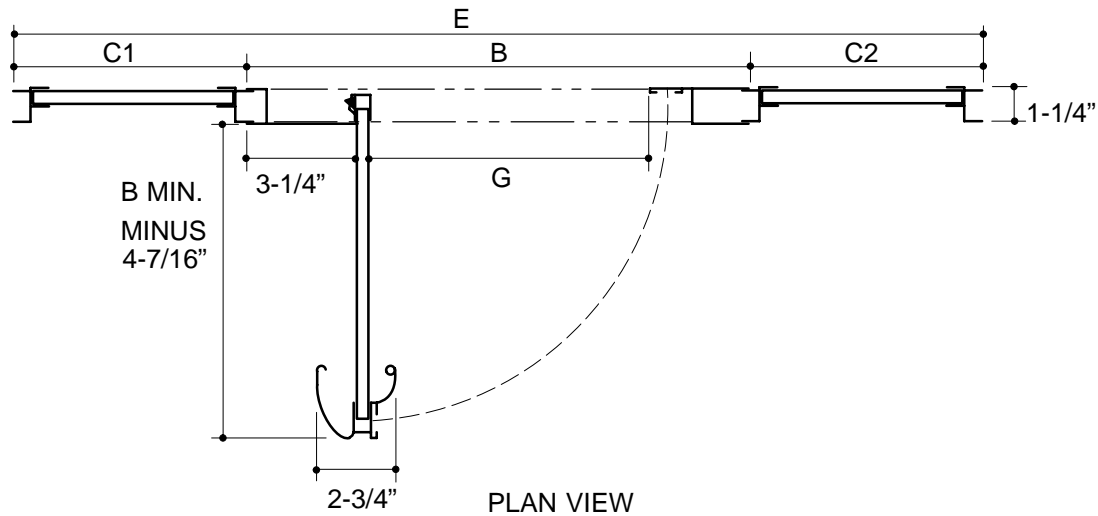
Ordering Information

Applicable product:

Reference models and measurements below.

Installation Notes

Refer to installation instructions included with fixture before beginning installation.



Roughing-In Notes	A	B	C1	C2	E	G (MAX.)
K-711400	60"-72"	28"-36"	8"-18"	8"-18"	44"-72"	22"-28"
Custom						
R1 and R2—Specified when ordered—MAX. 52".						

