

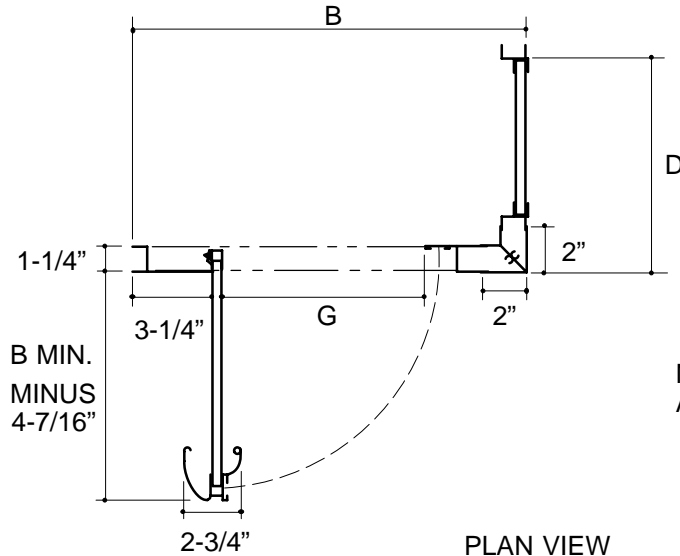
### Ordering Information

Applicable product:

Reference models and measurements below.

### Installation Notes

Refer to installation instructions included with fixture before beginning installation.



NOTE: RETURN PANEL MAY BE ATTACHED ON EITHER SIDE.

PLAN VIEW

Roughing-In Notes	A	B	D	G (MAX.)
K-751200	50"-72"	28"-38"	10"-50"	22"-28"
Custom				

