

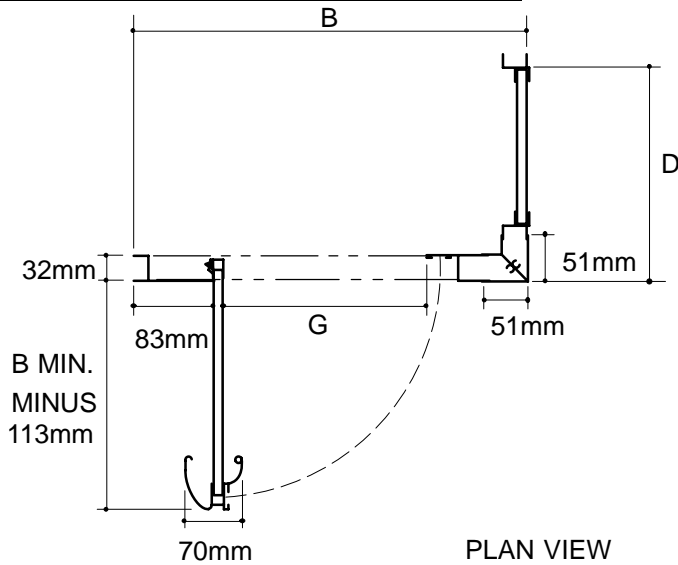
### Ordering Information

Applicable product:

Reference models and measurements below.

### Installation Notes

Refer to installation instructions included with fixture before beginning installation.



NOTE: KNEE WALL RETURN PANEL  
MAY BE ATTACHED ON EITHER SIDE.

Roughing-In Notes	A	B	D	G (MAX.)
K-761200 Custom	1524-1828mm	711-965mm	254-1270mm	559-711mm
R-Specified when ordered-Max.1321mm.				

