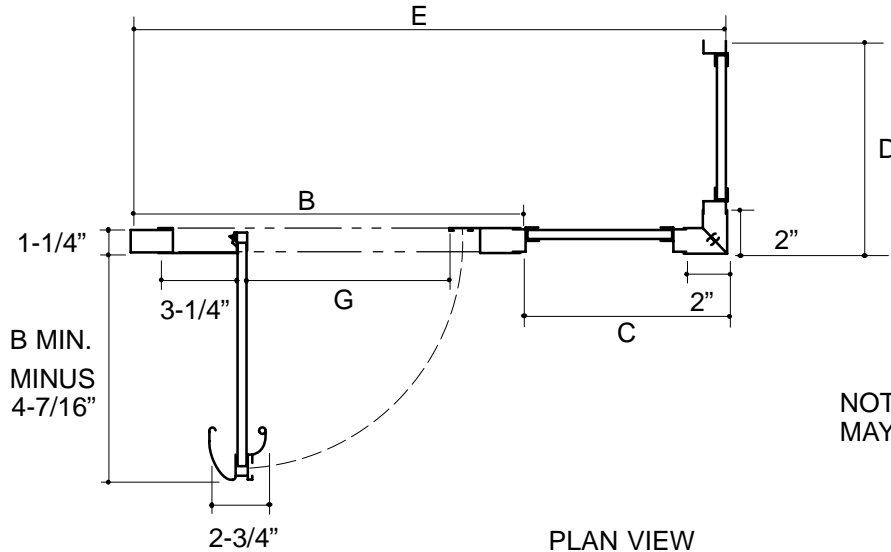


Ordering Information

Applicable product:
Reference models and measurements below.

Installation Notes

Refer to installation instructions included with fixture before beginning installation.



NOTE: INLINE AND RETURN PANEL
MAY BE ATTACHED ON EITHER SIDE.

Roughing-In Notes	A	B	C	D	E	G (MAX.)
K-701566	71"	30"	12-5/8"	30-5/8"	42-5/8"	22"
K-771200 Custom	50"-72"	26"-36"	10"-36"	10"-50"	36"-72"	18"-28"

