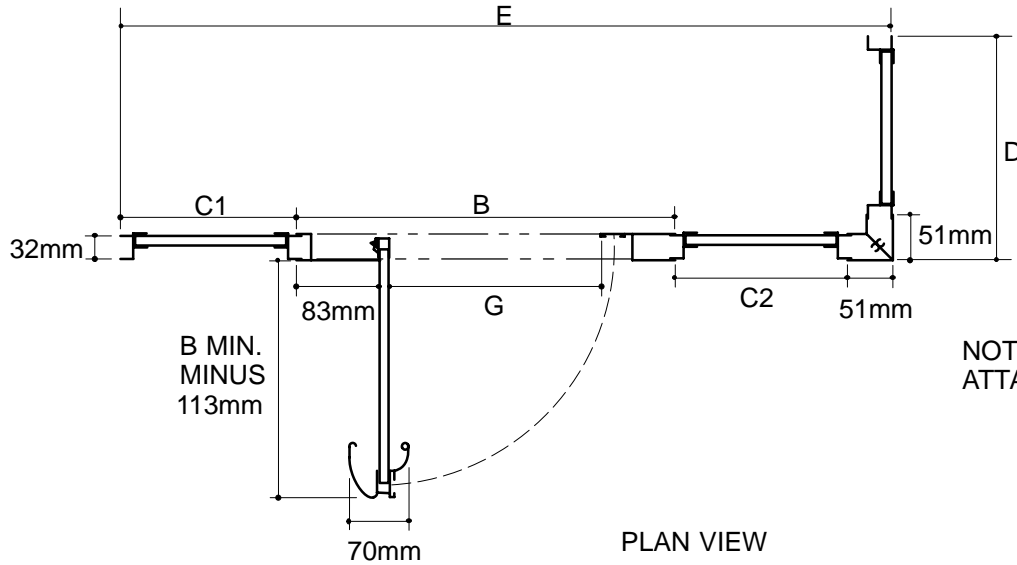


Ordering Information

Applicable product:
Reference models and measurements below.

Installation Notes

Refer to installation instructions included with fixture before beginning installation.



NOTE: RETURN PANEL MAY BE ATTACHED ON EITHER SIDE.

Roughing-In Notes	A	B	C1	C2	D	E	G (MAX.)
K-731400 Custom	1524-1829mm	660-914mm	203-610mm	203-610mm	254-1270mm	1118-2134mm	457-711mm
R-Specified when ordered-MAX.1321mm.							

