

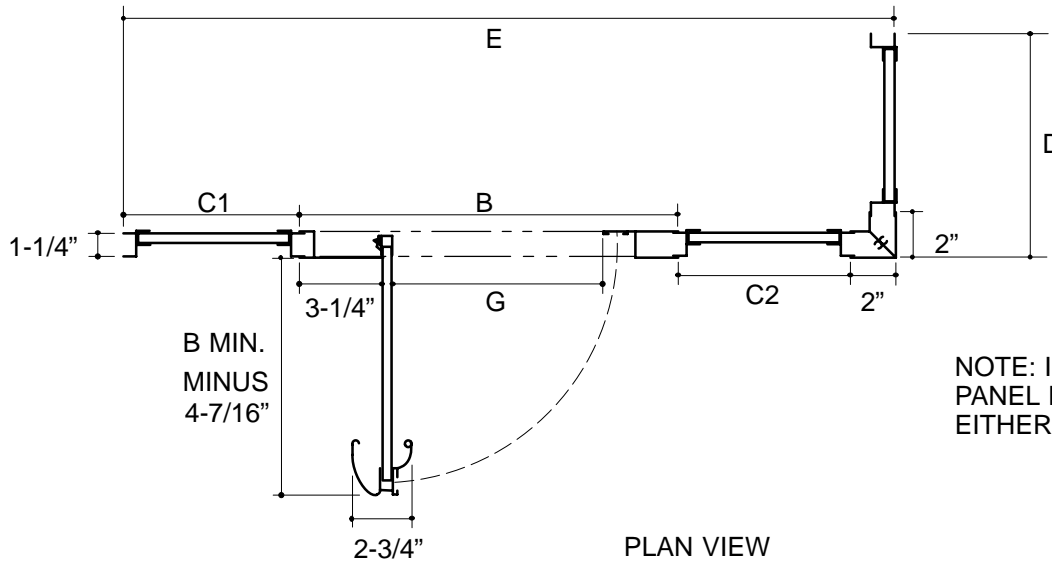
Ordering Information

Applicable product:

Reference models and measurements below.

Installation Notes

Refer to installation instructions included with fixture before beginning installation.



NOTE: INLINES AND RETURN PANEL MAY BE ATTACHED ON EITHER SIDE.

Roughing-In Notes	A	B	C1	C2	D	E	G (MAX.)
K-751400 Custom	60"-72"	26"-36"	8"-18"	8"-18"	10"-50"	44"-72"	18"-28"
R-Specified when ordered-MAX. 52".							

