

K-701110

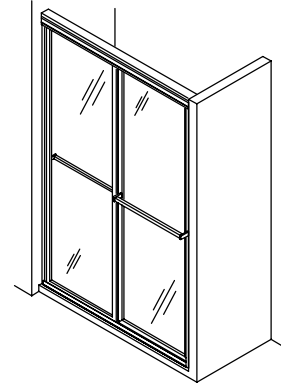
FEATURES

- Reversible header
- Custom and standard sizes
- Heavy duty aluminum anodized frame
- PB/CP towel bar supports for BH/SH frame
- Adjustable hanger brackets
- Three soft bottom guides
- Removable door bumper

CODES/STANDARDS

Specified model meets or exceeds the following:

- ANSI Z97.1 (tempered glass)



GLASS OPTIONS

- B Obscure
- L Clear
- P1 Etchings™

COLORS/FINISHES

- 0 White
- SH Bright Silver Finish
- BH Bright Brass Finish

SPECIFIED MODEL:

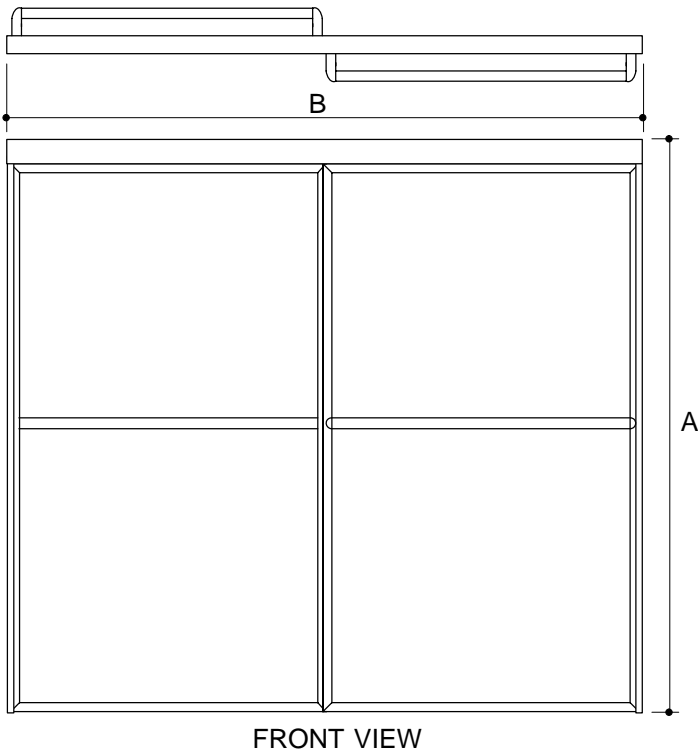
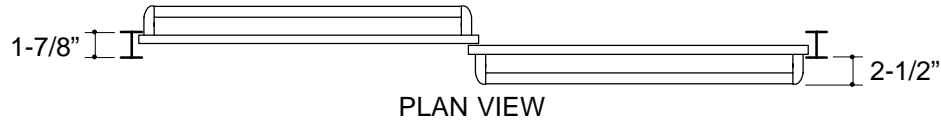
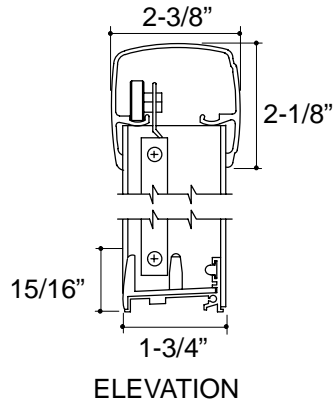
Model	Application	Glass Options			Frame Finishes/Colors		
		B	L	P1	SH	BH	0
* K-701110	Shower	<input type="checkbox"/>	<input type="checkbox"/>	<input type="checkbox"/>	<input type="checkbox"/>	<input type="checkbox"/>	<input type="checkbox"/>
K-701111	Shower	<input type="checkbox"/>	<input type="checkbox"/>	<input type="checkbox"/>	<input type="checkbox"/>	<input type="checkbox"/>	<input type="checkbox"/>
K-701112	Shower	<input type="checkbox"/>	<input type="checkbox"/>	<input type="checkbox"/>	<input type="checkbox"/>	<input type="checkbox"/>	<input type="checkbox"/>
K-701113	Shower	<input type="checkbox"/>	<input type="checkbox"/>	<input type="checkbox"/>	<input type="checkbox"/>	<input type="checkbox"/>	<input type="checkbox"/>
K-701114	Shower	<input type="checkbox"/>	<input type="checkbox"/>	<input type="checkbox"/>	<input type="checkbox"/>	<input type="checkbox"/>	<input type="checkbox"/>
K-701116 to 701119	Shower	<input type="checkbox"/>	<input type="checkbox"/>	<input type="checkbox"/>	<input type="checkbox"/>	<input type="checkbox"/>	<input type="checkbox"/>
* K-701120	Shower	<input type="checkbox"/>	<input type="checkbox"/>	<input type="checkbox"/>	<input type="checkbox"/>	<input type="checkbox"/>	<input type="checkbox"/>
* K-701121	Shower	<input type="checkbox"/>	<input type="checkbox"/>	<input type="checkbox"/>	<input type="checkbox"/>	<input type="checkbox"/>	<input type="checkbox"/>
* K-701122	Shower	<input type="checkbox"/>	<input type="checkbox"/>	<input type="checkbox"/>	<input type="checkbox"/>	<input type="checkbox"/>	<input type="checkbox"/>
K-701123 to 701128	Shower	<input type="checkbox"/>	<input type="checkbox"/>	<input type="checkbox"/>	<input type="checkbox"/>	<input type="checkbox"/>	<input type="checkbox"/>
* K-701129	Shower	<input type="checkbox"/>	<input type="checkbox"/>	<input type="checkbox"/>	<input type="checkbox"/>	<input type="checkbox"/>	<input type="checkbox"/>
K-701130	Shower	<input type="checkbox"/>	<input type="checkbox"/>	<input type="checkbox"/>	<input type="checkbox"/>	<input type="checkbox"/>	<input type="checkbox"/>
K-711100 Custom	Shower	<input type="checkbox"/>	<input type="checkbox"/>	<input type="checkbox"/>	<input type="checkbox"/>	<input type="checkbox"/>	<input type="checkbox"/>

* Stock doors

PRODUCT SPECIFICATION:

Focal bypass shower door shall have reversible header. Door shall have custom and standard sizes, with heavy duty aluminum anodized frame. Door shall feature polished brass/chrome plated towel bar supports for BH/SH frame. Door shall include adjustable hanger brackets, three soft bottom guides, and removable door bumper. Shower door shall be Kohler Model K-_____-_____-_____.

FOCAL



Roughing-In Notes	A	B
K-701110	69-9/16"	39" to 41"
K-701111	69-9/16"	40-1/2" to 42-1/2"
K-701112	69-9/16"	42-1/2" to 44-1/2"
K-701113	69-9/16"	44-1/2" to 46-1/2"
K-701114	69-9/16"	46-1/2" to 48-1/2"
K-701116	69-9/16"	48-1/2" to 51"
K-701117	69-9/16"	51" to 53"
K-701118	69-9/16"	53" to 55"
K-701119	69-9/16"	55" to 57"
K-701120	69-9/16"	57" to 59"
K-701121	65-1/2"	40" to 42-1/2"
K-701122	65-1/2"	42" to 44"
K-701123	65-1/2"	43" to 45"
K-701124	65-1/2"	45" to 47"
K-701125	65-1/2"	46-1/2" to 48-1/2"
K-701126	65-1/2"	49 to 51-1/2"
K-701127	65-1/2"	51" to 53"
K-701128	65-1/2"	53" to 55"
K-701129	65-1/2"	55" to 57-3/8"
K-701130	65-1/2"	57" to 59"
K-711100 Custom	50"-72"	39"-60"

PRODUCT DIAGRAM

K-701110 Focal Bypass Shower Doors

Page 2 of 2
115799-4-CA (-)

THE BOLD LOOK
OF **KOHLER**®