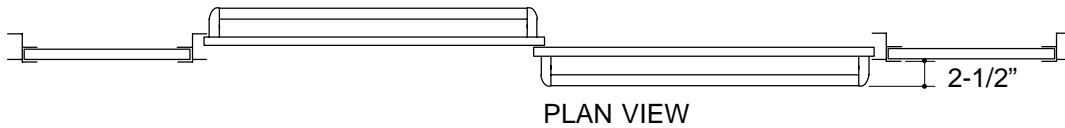
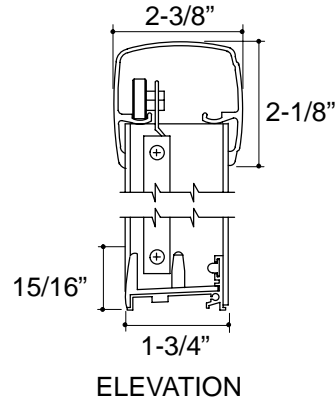


Ordering Information

Applicable product:
 Reference models and measurements below.

Installation Notes

Refer to installation instructions included with fixture before beginning installation.



Roughing-In Notes					
	A	B	C1	C2	E
K-741000 Custom	50"-60"	43"-72"	8"-25"	8"-25"	59"-122"

