

BYPASS BATH SHOWER DOORS

K-781000

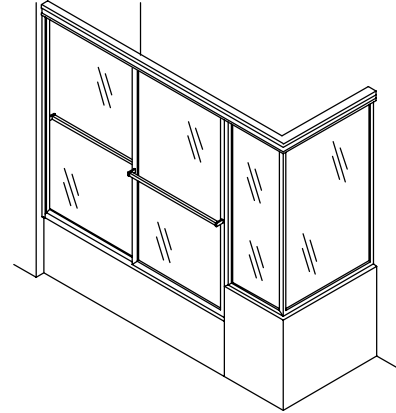
FEATURES

- Custom and standard sizes
- Heavy duty aluminum anodized frame
- PB/CP towel bar supports for BH/SH frame
- Adjustable hanger brackets
- Three soft bottom guides
- Removable door bumper

CODES/STANDARDS

Specified model meets or exceeds the following:

- ANSI Z97.1 (tempered glass)



GLASS OPTIONS

- B Obscure
- L Clear

COLORS/FINISHES

- 0 White
- SH Bright Silver Finish
- BH Bright Brass Finish

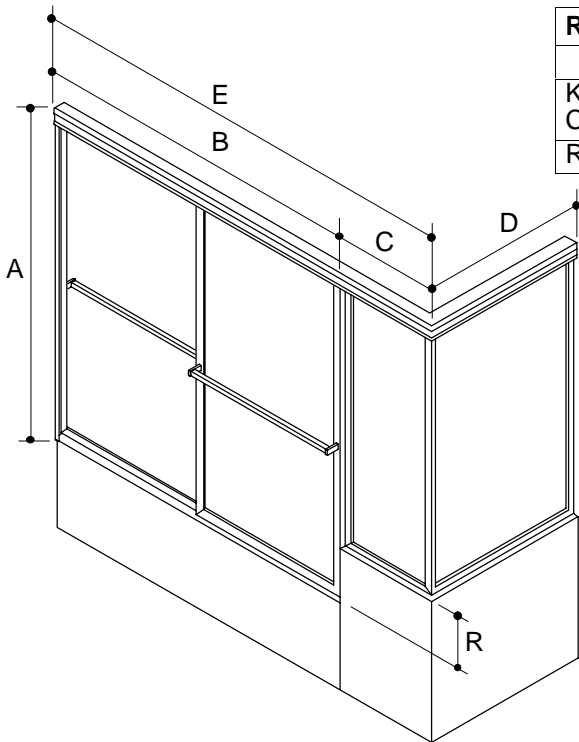
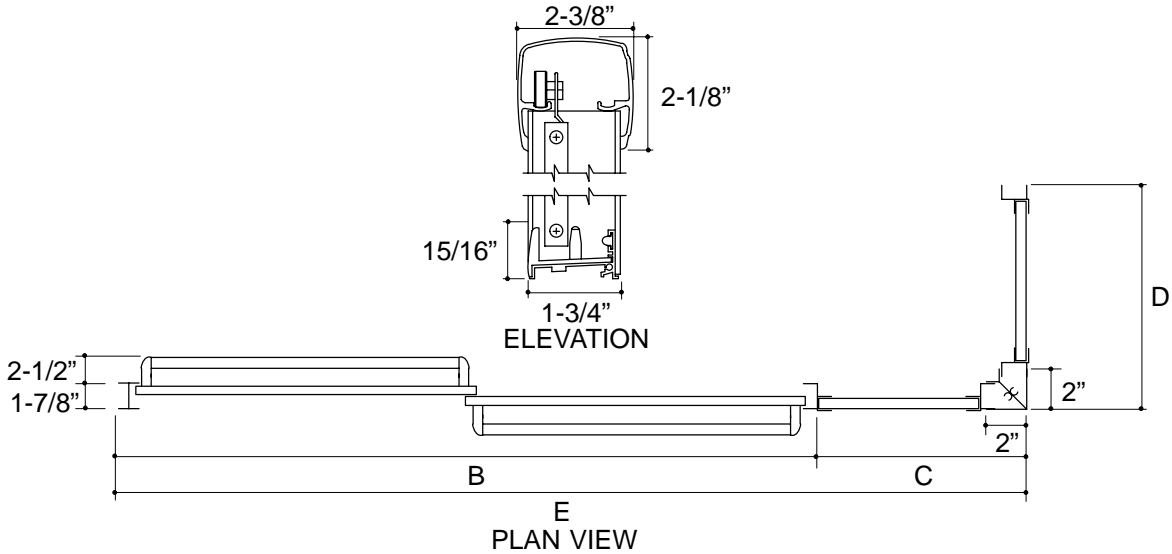
SPECIFIED MODEL:

| Model | Application | Glass Options | | Frame Finishes/Colors | | |
|-----------------|-------------|--------------------------|--------------------------|--------------------------|--------------------------|--------------------------|
| | | B | L | SH | BH | 0 |
| K-781000 Custom | Bath | <input type="checkbox"/> | <input type="checkbox"/> | <input type="checkbox"/> | <input type="checkbox"/> | <input type="checkbox"/> |

PRODUCT SPECIFICATION:

Focal bypass bath with inline and return panels on knee wall shower door shall have custom and standard sizes, with heavy duty aluminum anodized frame. Door shall feature polished brass/chrome plated towel bar supports for BH/SH frame. Door shall include adjustable hanger brackets, three soft bottom guides, and removable door bumper. Shower door shall be Kohler Model K-781000 Custom-_____.

FOCAL



| Roughing-In Notes | | | | | |
|-----------------------------------|--------|--------|--------|--------|--------|
| | A | B | C | D | E |
| K-781000 | | | | | |
| Custom | 50-60" | 43-72" | 10-24" | 10-50" | 53-96" |
| R-Specified when ordered-Max. 42" | | | | | |

PRODUCT DIAGRAM

K-781000 Focal Bypass Bath Shower Doors

Page 2 of 2
115806-4-CA (-)

THE BOLD LOOK
OF **KOHLER**®