

Ordering Information

Accessories/hardware:		
Drain	K-1468	recommended
Removable pillow	K-1491	optional
Vinyl tiling-in bead*	K-1179	optional
*Use K-1179 vinyl bead when wall material contacts any top surface of bath		

Product Information

Fixture*:	basin area	top area	weight
Bathing well	41" x 29"	56" x 36"	100 lbs.
	water depth	capacity	
To overflow	15"	85 gal.	
* Approximate measurements for comparison only.			

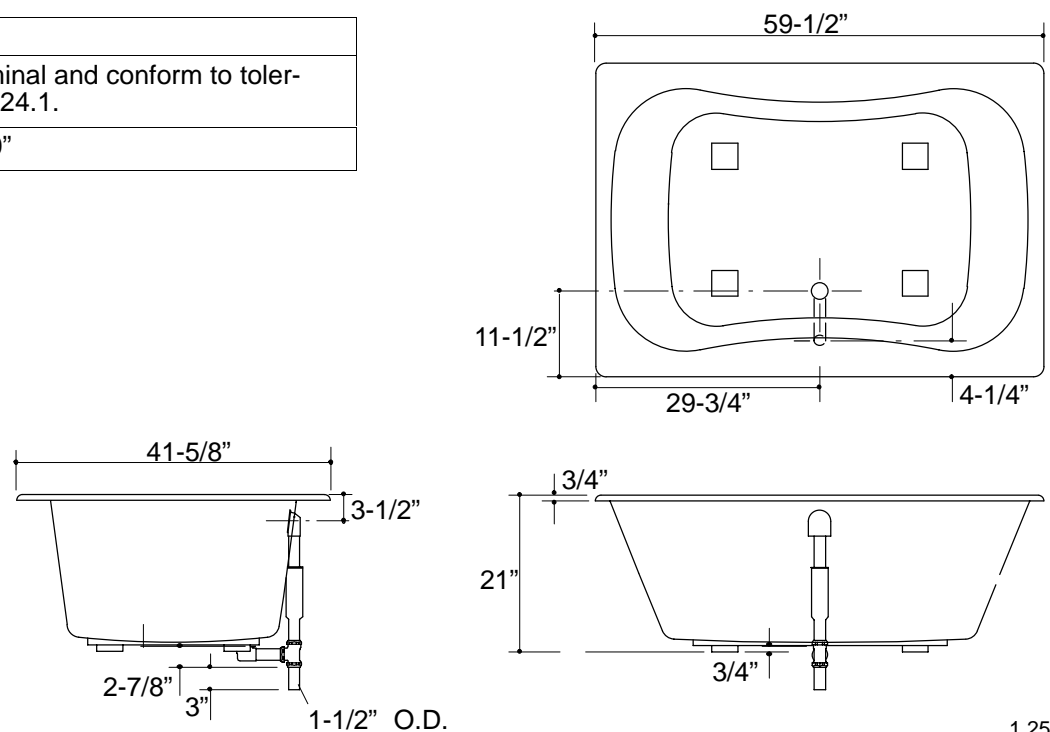
Installation Notes

Refer to installation instructions included with fixture before beginning installation.

Roughing-In Notes

Fixture dimensions are nominal and conform to tolerances in ANSI Standard Z124.1.

Cut-out	58" x 40"
---------	-----------



1.25>132