

Ordering Information

Accessories/hardware:		
Drain	K-1468	recommended
Removable pillow	K-1491	optional
Vinyl tiling-in bead*	K-1179	optional

*Use K-1179 vinyl bead when wall material contacts any top surface of bath

Product Information

Fixture*:	basin area	top area	weight
Bathing well	1041 x 737mm	1422 x 914mm	45 Kg.
	water depth	capacity	
To overflow	381mm	322 litres	

* Approximate measurements for comparison only.

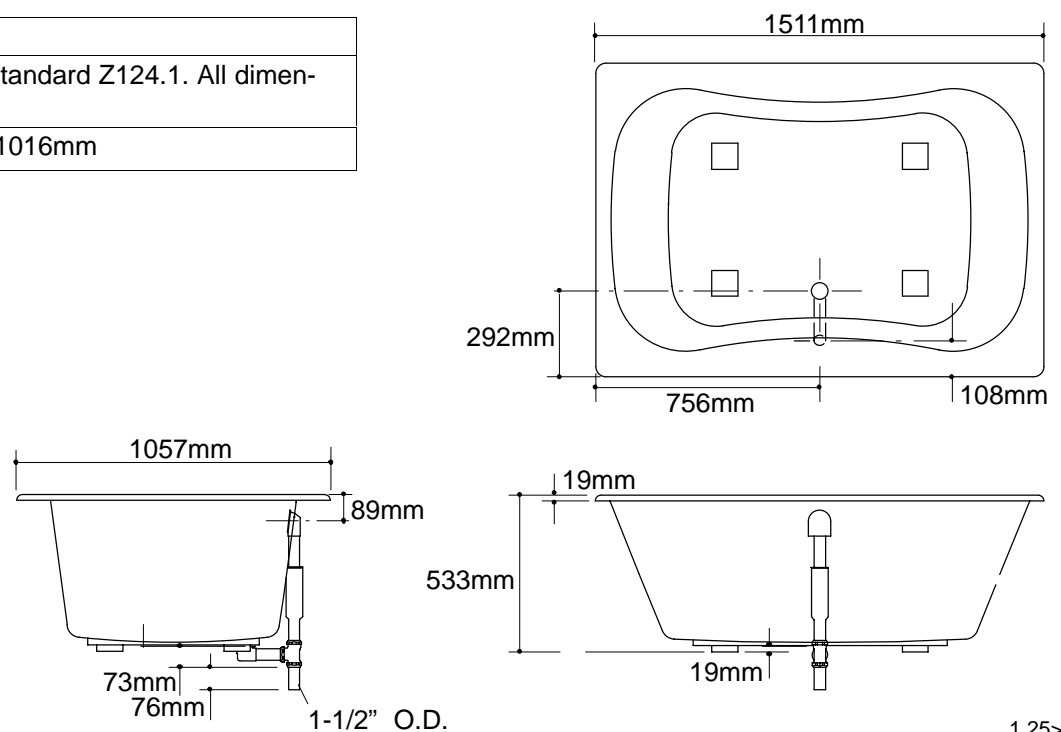
Installation Notes

Refer to installation instructions included with fixture before beginning installation.

Roughing-In Notes

Fixture conforms to ANSI Standard Z124.1. All dimensions are nominal.

Cut-out	1473 x 1016mm
---------	---------------



1.25>132