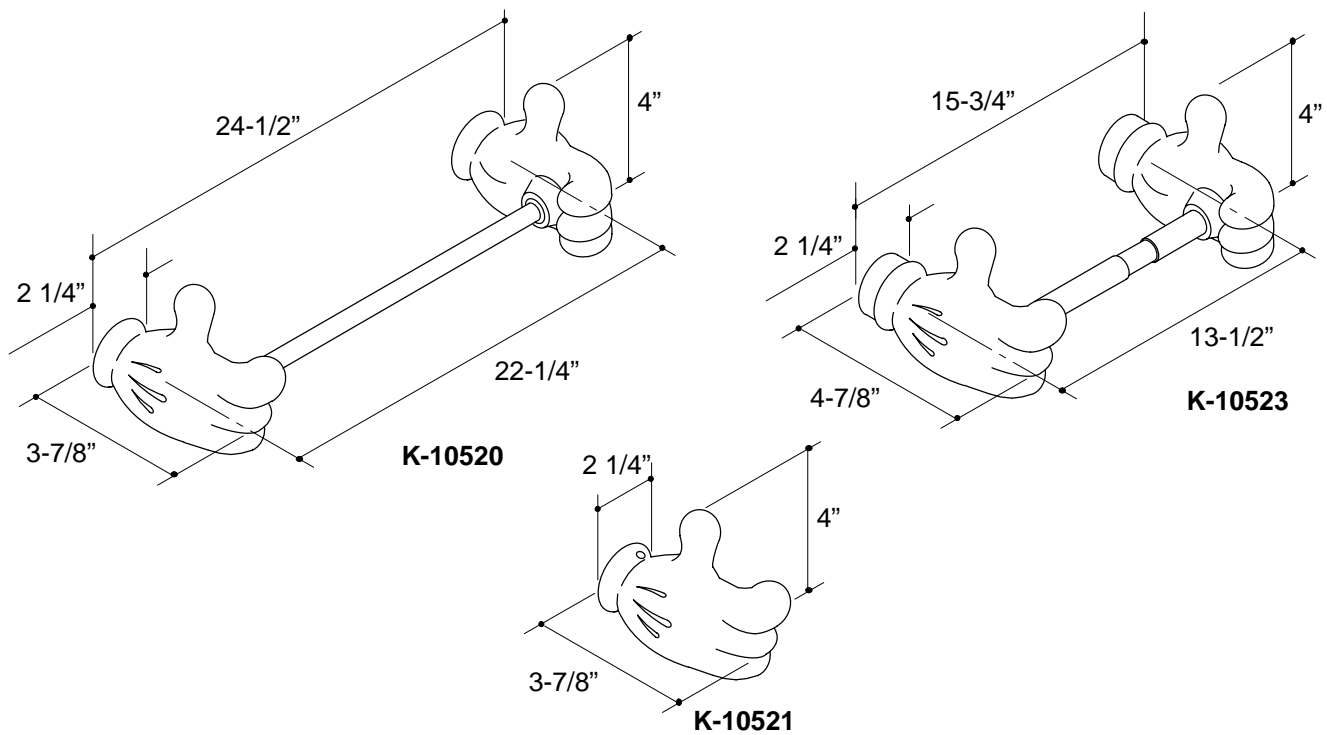


Ordering Information

Applicable product:	
Towel bar	K-10520
Robe hanger	K-10521
Paper towel holder	K-10523



K-10520, K-10521, K-10523 Accessories
115818-1-CA (-)

NOTES: