

Ordering Information

Applicable product:		
Console table legs	K-6880	shown
Single-hole lavatory	K-2269-1	shown*
8" centers lavatory	K-2269-8	not shown*
*Required for configuration illustrated.		
Accessories/hardware		
Supplies, 3/8" pair	K-7605-P	recommended
Trap	K-8998	recommended

Product Information

Fixture*:		basin area	water depth
Lavatory		18" x 14"	5"
Outlet	1-3/4" D.		
* Approximate measurements for comparison only.			

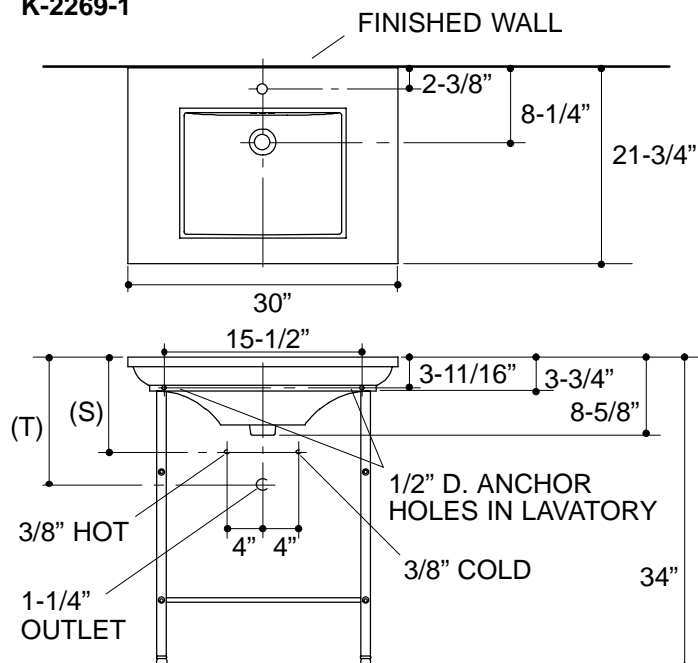
Holes	K-2269-1	K-2269-8	
Spout	1-3/8" D.	1-3/16" D.	
Faucet		1-7/16" D.	

Included Components:	
Lavatory accessory pack	52204
Hanger bracket	64839
Wire rack	84739

Installation Notes

Refer to installation instructions included with fixture before beginning installation.

**K-6880
K-2269-1**



Roughing-In Notes

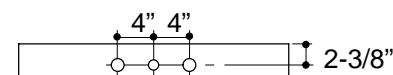
Fixture dimensions are nominal and conform to tolerances in ASME/ANSI Standard A112.19.9M.

(T) Pop-up drain 14-1/4", grid drain 13-3/8".

Supply (Based on 12" riser which may require cutting).

	K-2269-1	K-2269-8
(S)	10"	14"

K-2269-8



.75<116

K-6880 Memoirs™ Lavatory Basin with Console Table Legs
115821-1-AA (-)

KOHLER®