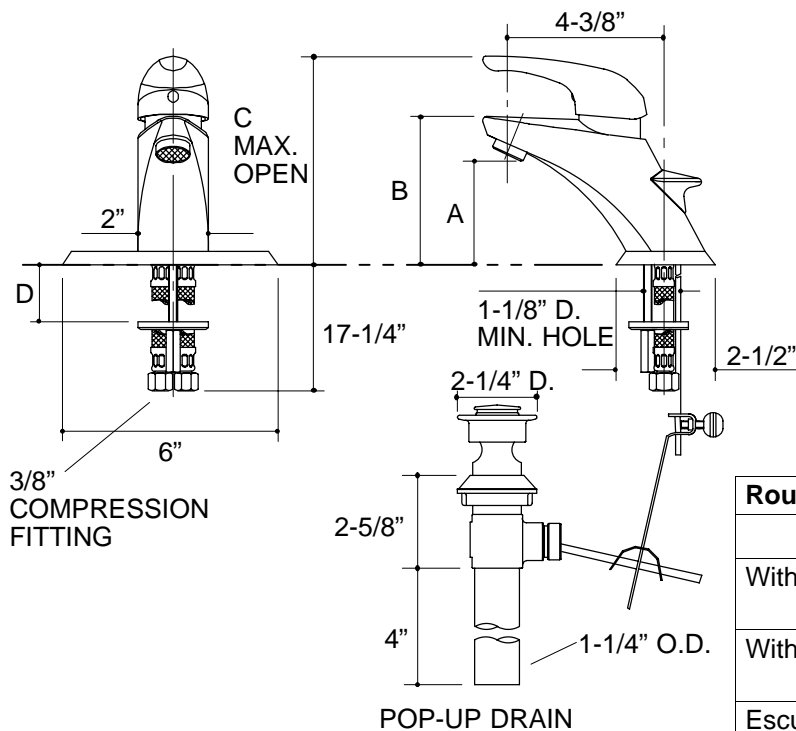


Ordering Information

Applicable faucet:	
With drain	K-14616-4
ADA Lever handle is ADA compliant	

Accessories/hardware:		
6" escutcheon plate for 4" centers	K-14531	optional



Roughing-In Notes				
	A	B	C	D
With escutcheon	2-7/8"	4-1/8"	6-3/4"	1-5/8" MAX.
Without escutcheon	2-1/2"	3-3/4"	6-3/8"	2" MAX.
Escutcheon to be used with 4" hole centers only.				

316

K-14616-4 Cabriole™ Lavatory Faucet
115823-1-CA (-)

KOHLER®

NOTES: