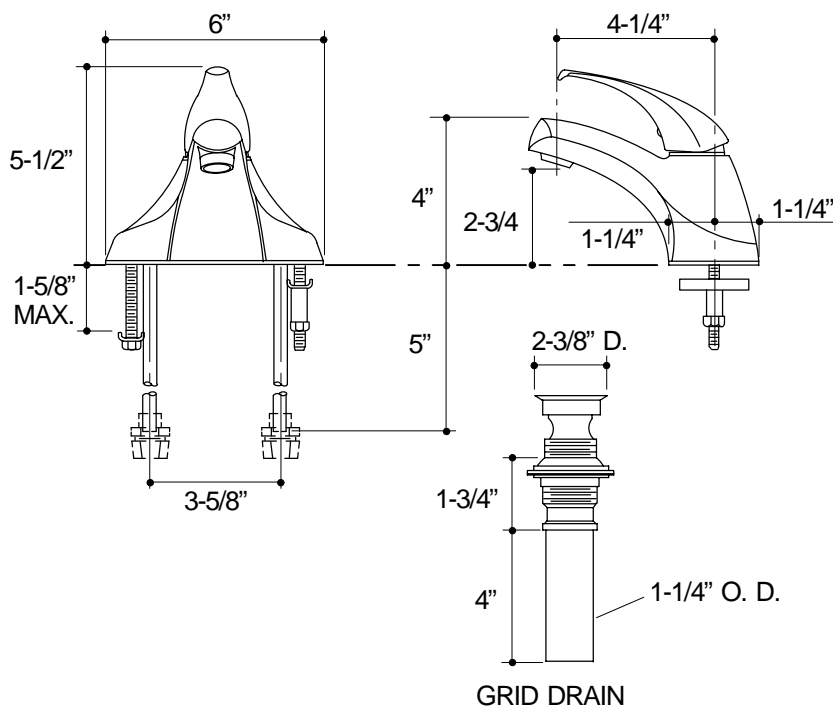


Ordering Information

Applicable faucet:	
Less ground joints and with grid drain	K-15198
With ground joints and grid drain	K-15198-P
ADA Lever handle is ADA compliant	



316

K-15198 Coralais™ Lavatory Faucet
 115836-1-AA (-)

NOTES: