

**LAVATORY FAUCET
K-15199**

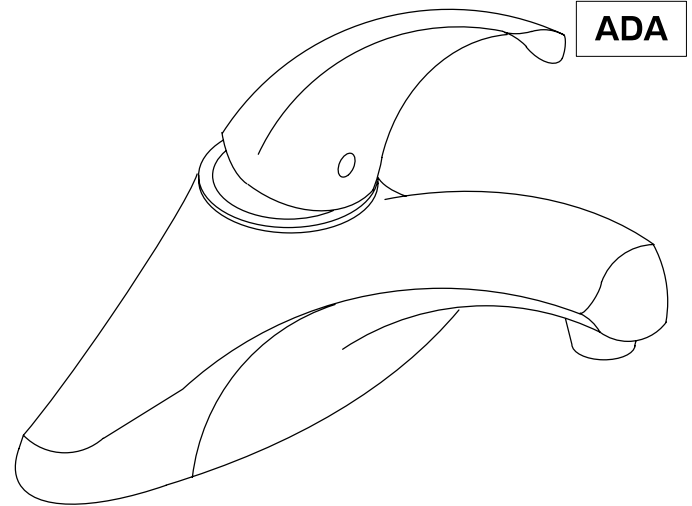
FEATURES

- Metal construction
- For 4" centers
- One-piece self-contained ceramic disc valve allows both volume and temperature control
- Temperature memory allowing faucet to be turned on and off at any temperature setting
- High-temperature limit stop
- 4-1/4" spout
- Metal throatplate
- 2.0 gallons per minute
- Lever handle
- Optional ground joint connections

CODES/STANDARDS APPLICABLE

Specified model meets or exceeds the following:

- ASME/ANSI A112.18.1M
- CSA B125
- Energy Policy Act of 1992
- IAPMO/UPC
- NSF 61



COLORS/FINISHES

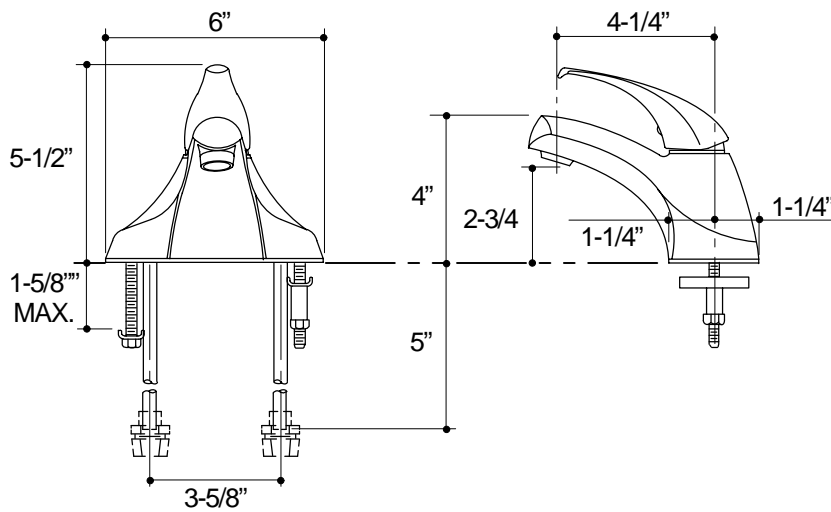
- CP Polished Chrome

SPECIFIED MODEL:

Model	Description	
K-15199	Less Ground Joint Connections	<input type="checkbox"/> CP
K-15199-P	With Ground Joint Connections	<input type="checkbox"/> CP

PRODUCT SPECIFICATION:

Single-control centerset lavatory faucet shall be of metal construction. The valve shall be a one-piece, self-contained ceramic disc valve, and allows both volume and temperature control. The valve shall feature temperature memory, allowing the faucet to be turned on and off at any temperature setting, and includes a high-temperature limit stop. Product shall be less drain. Product shall include 4" centers, 4-1/4" spout, lift rod hole with plug, and lever handle. Optional feature shall be with or without ground joint connections. Faucet shall be Kohler Model K-15199-_____-CP.



PRODUCT DIAGRAM