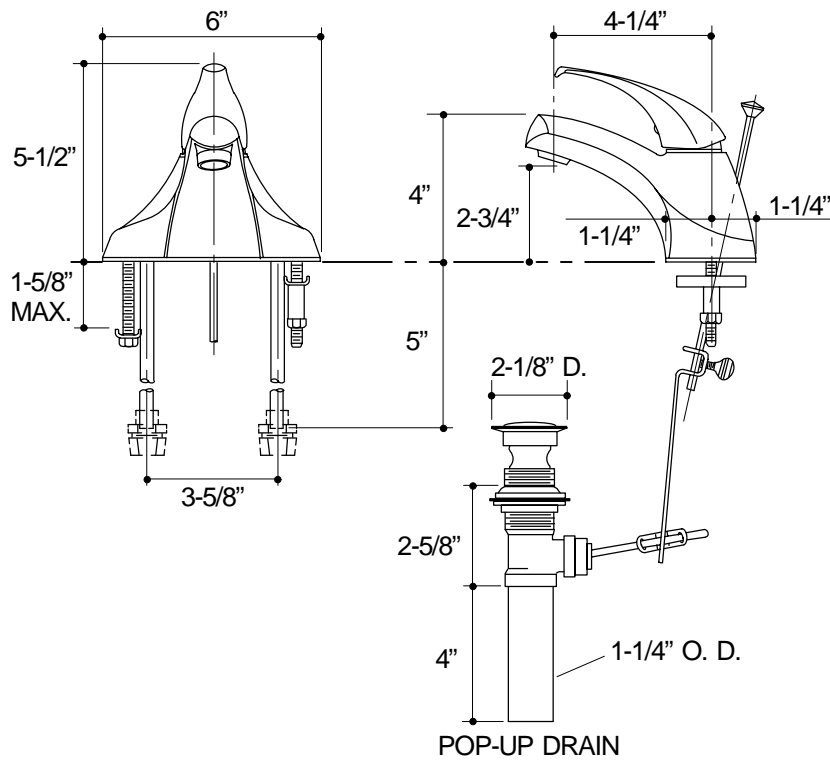


Ordering Information

Applicable lavatory faucet:	
Less ground joints	K-15582
With ground joints	K-15582-P
ADA Lever handle is ADA compliant	



316

K-15582 Coralais™ Lavatory Faucet
 115838-1-AA (-)

NOTES: