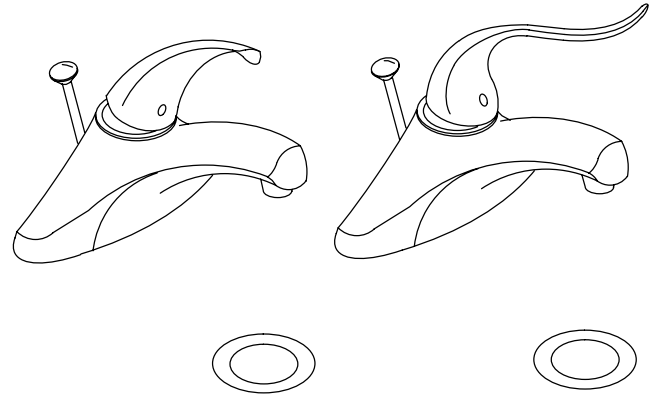


**LAVATORY FAUCET
K-15583**

ADA

FEATURES

- Metal construction
- For 4" centers
- One-piece self-contained ceramic disc valve allows both volume and temperature control
- Temperature memory allowing faucet to be turned on and off at any temperature setting
- High-temperature limit stop
- 4-1/4" spout
- Metal throatplate
- 2.0 gallons per minute
- Vandal-resistant aerator and pop-up drain with lift rod and tailpiece
- Available with 4-1/2" or 5-3/4" vandal-resistant lever handle
- Optional ground joint connections



CODES/STANDARDS APPLICABLE

Specified model meets or exceeds the following:

- ASME/ANSI A112.18.1M
- Energy Policy Act of 1992
- IAPMO/UPC
- NSF 61

K-15583
K-15583-P

K-15583-5
K-15583-5P

COLORS/FINISHES

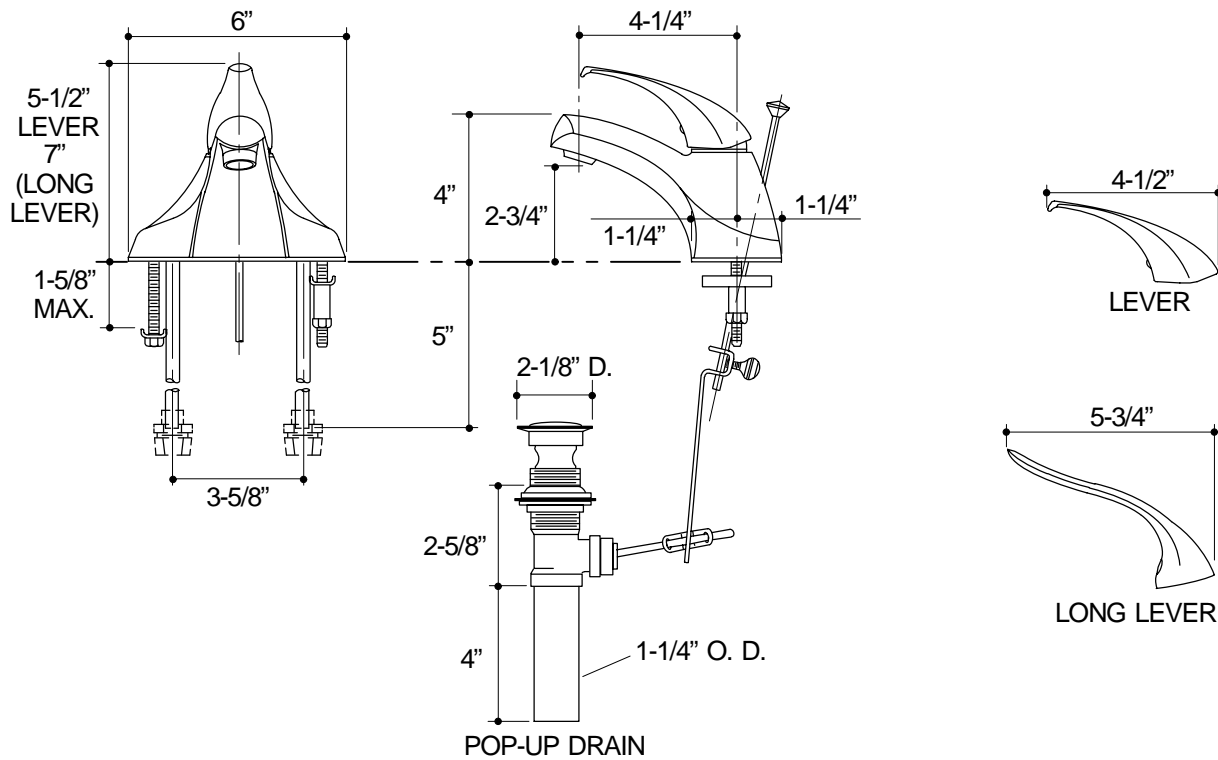
- CP Polished Chrome

SPECIFIED MODEL:

Model	Description	
K-15583	With 4-1/2" Lever Handle; Less Ground Joint Connections	<input type="checkbox"/> CP
K-15583-P	With 4-1/2" Lever Handle; With Ground Joint Connections	<input type="checkbox"/> CP
K-15583-5	With 5-3/4" Lever Handle; Less Ground Joint Connections	<input type="checkbox"/> CP
K-15583-5P	With 5-3/4" Lever Handle; With Ground Joint Connections	<input type="checkbox"/> CP

PRODUCT SPECIFICATION:

Single-control centerset lavatory faucet shall be of metal construction. The valve shall be a one-piece, self-contained ceramic disc valve, and allows both volume and temperature control. The valve shall feature temperature memory, allowing the faucet to be turned on and off at any temperature setting, and includes a high-temperature limit stop. Product shall include 4" centers, 4-1/4" spout, vandal-resistant(VR) pop-up drain with lift rod and tailpiece, VR aerator, and VR 4-1/2" or 5-3/4" lever handle. Optional feature shall be with or without ground joint connections. Faucet shall be Kohler Model K-15583-_____-CP.



316

PRODUCT DIAGRAM