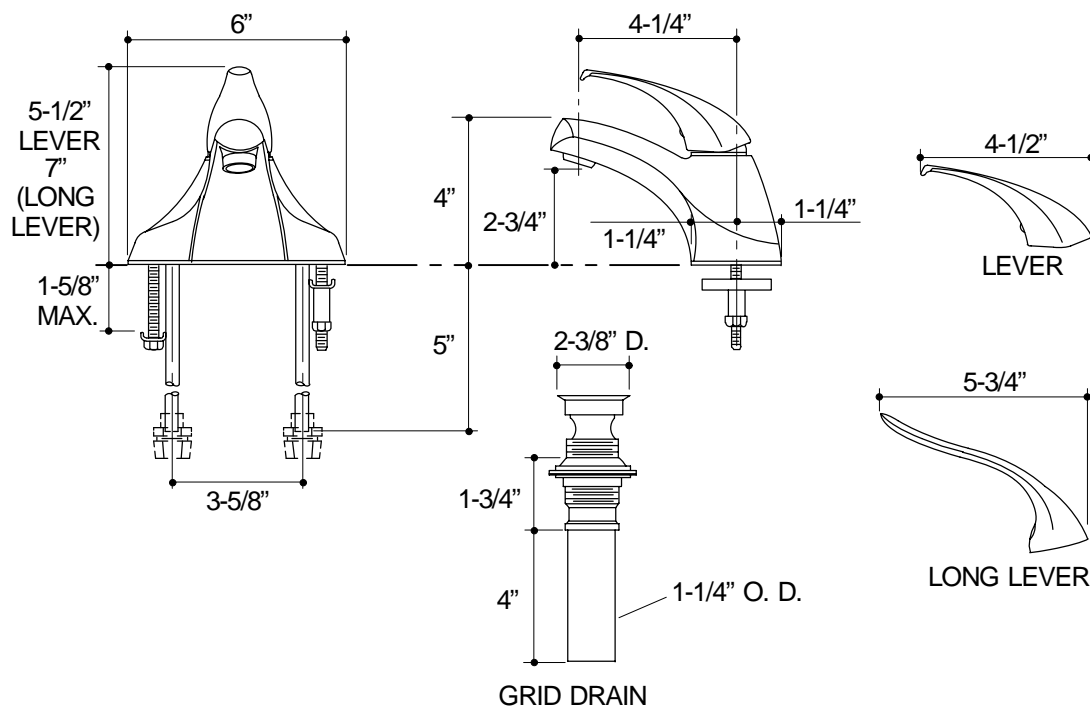


**Ordering Information**

Applicable lavatory faucet:	
With 4-1/2" lever handle:	
Less ground joints	K-15597
With ground joints	K-15597-P
With 5-3/4" lever handle:	
Less ground joints	K-15597-5
With ground joints	K-15597-5P
<b>ADA</b> Lever handle is ADA compliant	



316

**K-15597** Coralais™ Lavatory Faucet  
 115841-1-AA (-)

**NOTES:**