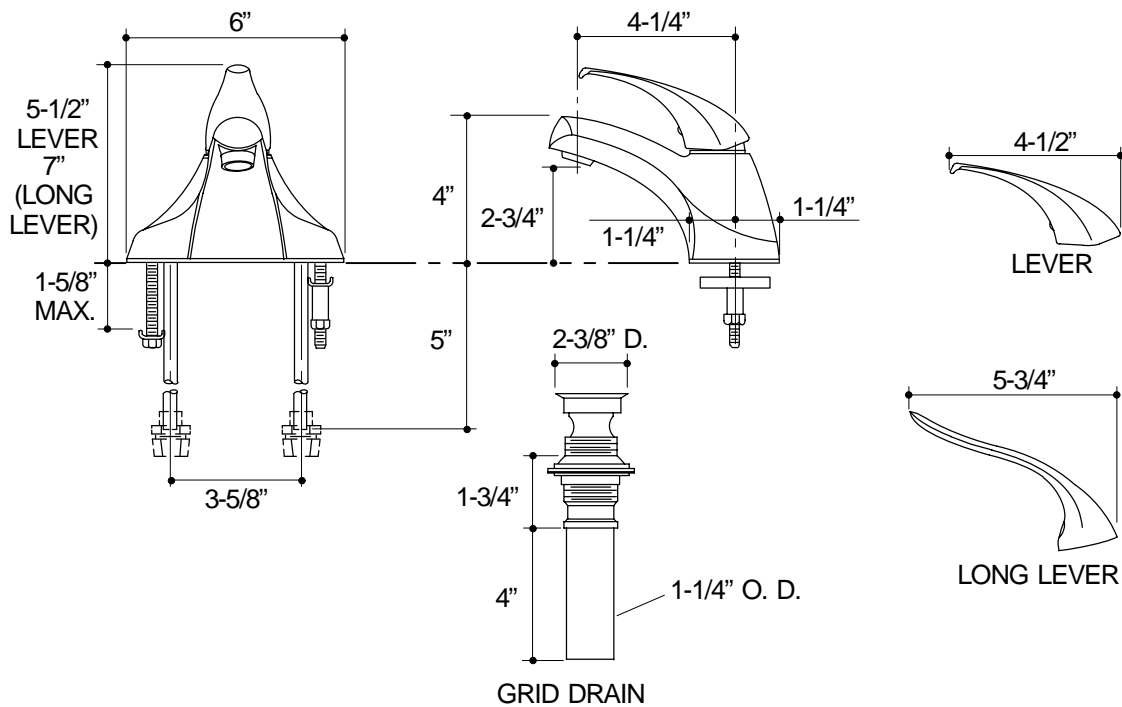


Ordering Information

Applicable lavatory faucet:	
With 4-1/2" lever handle:	
Less ground joints	K-15598
With ground joints	K-15598-P
With 5-3/4" lever handle:	
Less ground joints	K-15598-5
With ground joints	K-15598-5P
ADA Lever handle is ADA compliant	



316

K-15598 Coralais™ Lavatory Faucet
115842-1-AA (-)

NOTES: