

### PIVOT NEO-ANGLE SHOWER DOORS

# K-701633

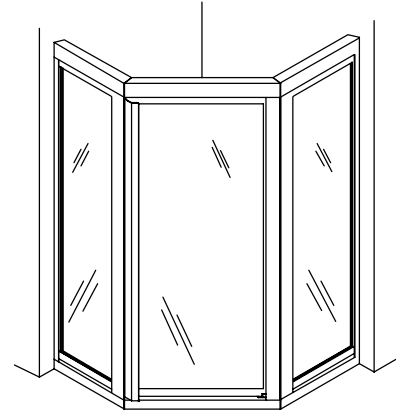
#### FEATURES

- 3/4" adjustability per side
- Soft touch foam handle insert
- Corrosion resistant
- Stainless steel hardware
- Full length magnetic strip
- Watertight design
- Right or left door swing

#### CODES/STANDARDS

Specified model meets or exceeds the following:

- ANSI Z97.1 (tempered glass)



#### GLASS OPTIONS

- B Obscure
- L Clear
- D1 Memoirs™
- D5 Symbio™

#### COLORS/FINISHES

- 0 White (available with the D1 and D5 glass options only)
- SH Bright Silver Finish
- BH Bright Brass Finish

#### SPECIFIED MODEL:

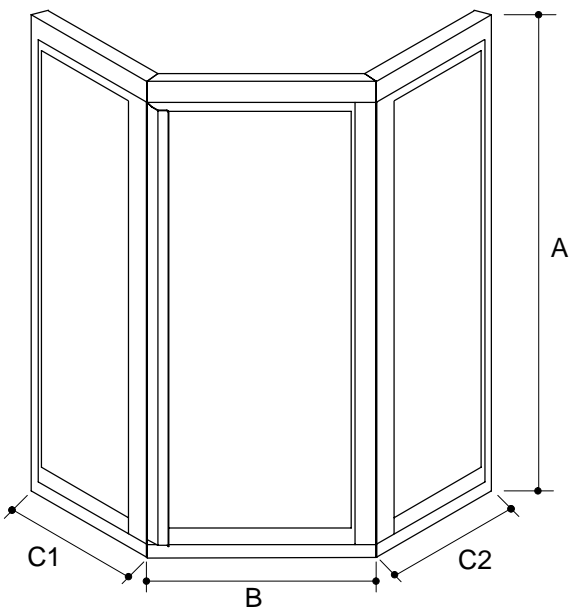
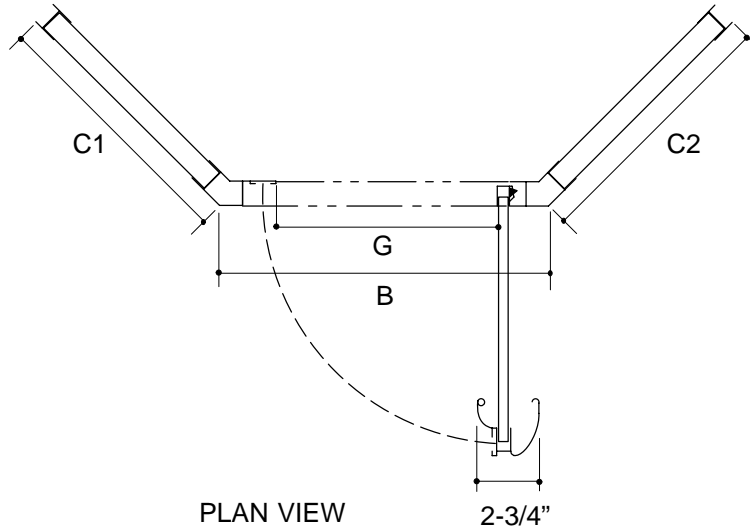
Model	Application	Glass Options				Frame Finishes/Colors		
		B	L	D1	D5	SH	BH	0
K-701633	* Shower K-9563/K-9564	<input type="checkbox"/>			<input type="checkbox"/>	<input type="checkbox"/>	<input type="checkbox"/>	<input type="checkbox"/>
K-701635	* Shower K-9543/K-9544	<input type="checkbox"/>			<input type="checkbox"/>	<input type="checkbox"/>	<input type="checkbox"/>	<input type="checkbox"/>
K-701637	* Shower K-9542	<input type="checkbox"/>	<input type="checkbox"/>	<input type="checkbox"/>		<input type="checkbox"/>	<input type="checkbox"/>	<input type="checkbox"/>

\* Stock doors

#### PRODUCT SPECIFICATION:

Focal pivot neo-angle with two in-line panels shower door. Door shall include 3/4" adjustability per side. Door handle shall have a soft touch foam handle insert. Door shall be corrosion resistant and have stainless steel hardware, with full length magnetic strip. Door shall feature watertight design, with right or left door swing. Shower door shall be Kohler Model K-\_\_\_\_\_-\_\_\_\_\_-\_\_\_\_\_.

# FOCAL



Rough-In Notes	A	B	C1	C2	G (MAX.)
K-701633	72"	27-1/2"	15-1/8"	21-1/8"	22"
K-701635	72"	27-1/2"	21-1/8"	21-1/8"	22"
K-701637	72"	27-1/2"	19-1/4"	19-1/4"	22"

Note: Dimensions are taken on centerline of curb/threshold at the rough opening.

## PRODUCT DIAGRAM

**K-701633** Focal Pivot Neo-Angle Shower Doors

Page 2 of 2  
115876-4-CA (-)

THE BOLD LOOK  
OF **KOHLER**®