

### Ordering Information

Applicable product:		
Iron Bell	K-2804	shown
Vessels™ Iron Bell	K-2804-P	not shown
Iron Etchings™ Design on Vessels Iron Bell	K-14225	not shown
Accessories/hardware:		
Vessels wall-mount bracket	K-9655	optional
P-trap	K-9018	recommended
Drain	K-7702-BA	recommended

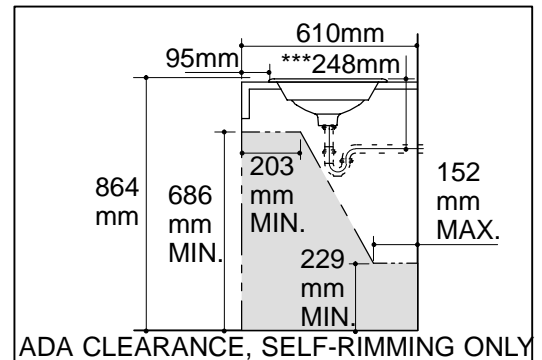
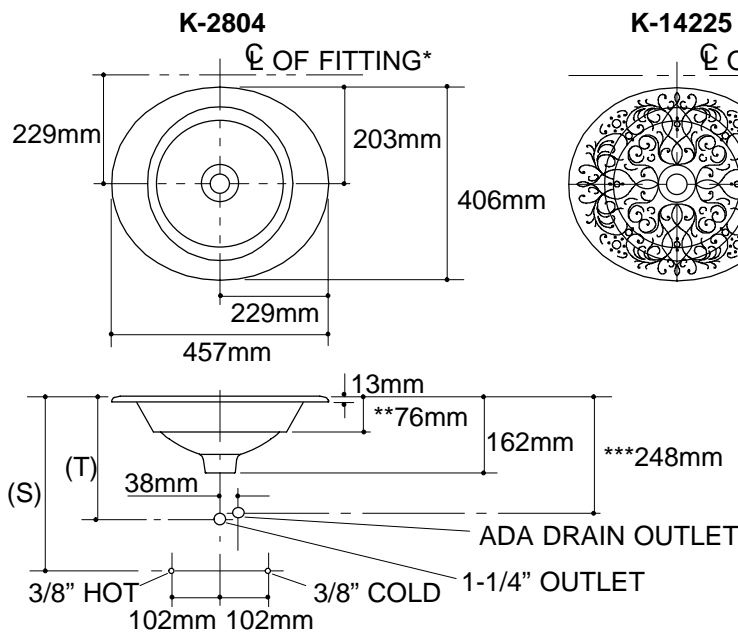
### Product Information

ADA compliant, self-rimming only:			
Fixture*:		basin area	water depth
Lavatory		330 x 305mm	111mm
Outlet	Ø44mm		
* Approximate measurements for comparison only.			
Included Components:			
Cutout template			115887-7

### Installation Notes

Refer to installation instructions included with fixture before beginning installation.

Product does not have an overflow.



### Roughing-In Notes

Fixture dimensions are nominal and conform to tolerances in ASME Standard A112.19.1M.

(T) Pop-up drain 260mm.

(S) 356mm (Based on 305mm riser which may require cutting).

\*Spout must be 127mm long (min.) for adequate clearance into lavatory when installed with centerline as shown.

\*\*Spout must be tall enough to clear 76mm rim height and provide a 25mm air gap per ASME A112.1.2

\*\*\*Based on K-9018, with 25mm of tailpiece exposed.