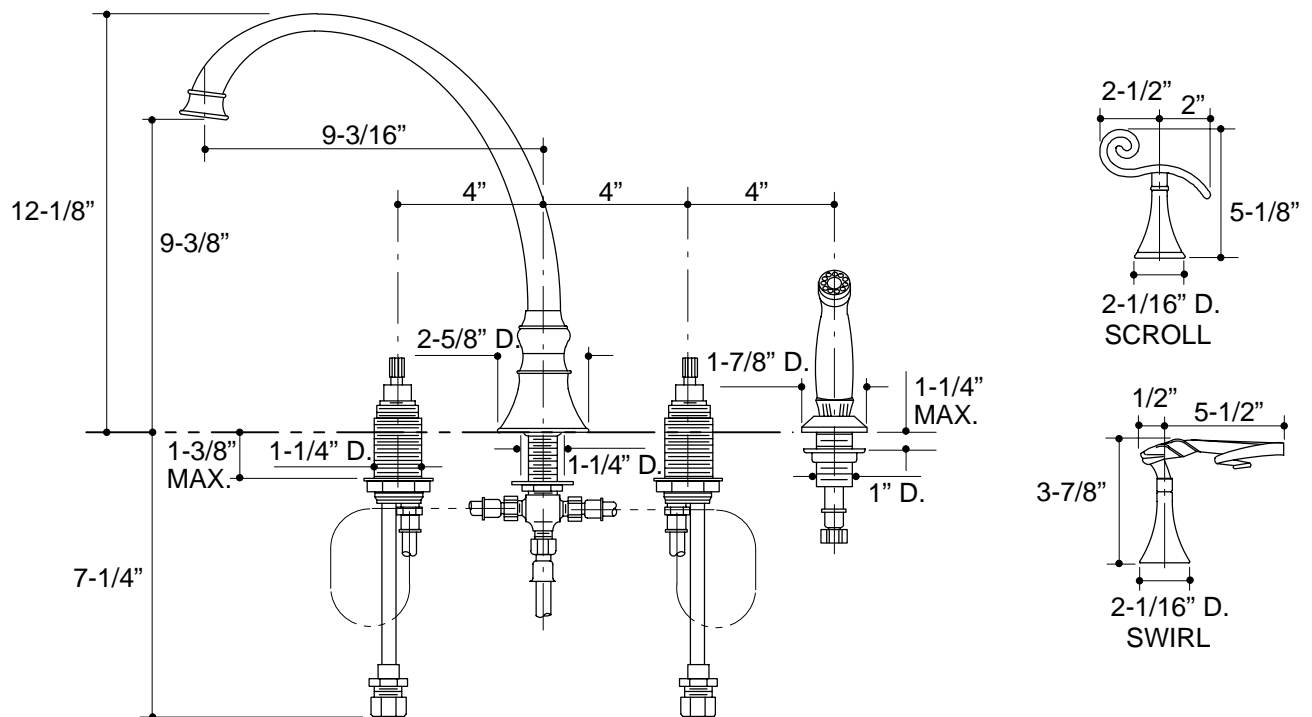


## Ordering Information

|  |          |
|--|----------|
| Applicable faucet:                         |          |
| With swirl handles                         | K-677-4W |
| With scroll handles                        | K-677-4S |
| <b>ADA</b> Lever handles are ADA compliant |          |



316

**K-677** Finial Art Kitchen Sink Faucet  
115910-1-AA (-)

**KOHLER®**

**NOTES:**