

Ordering Information

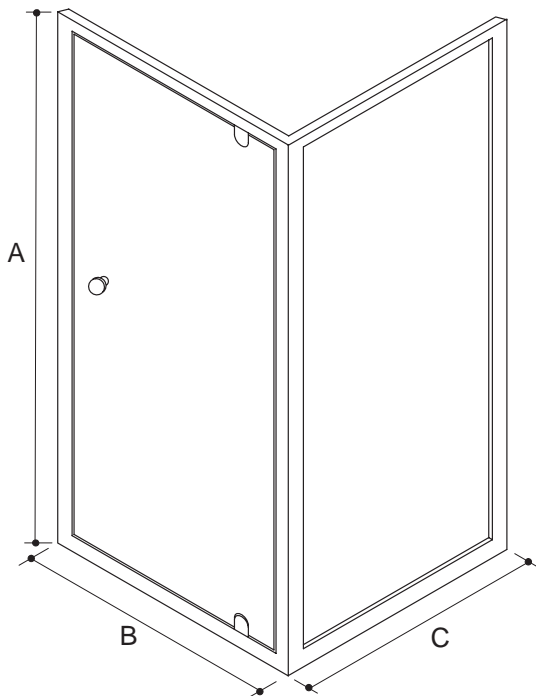
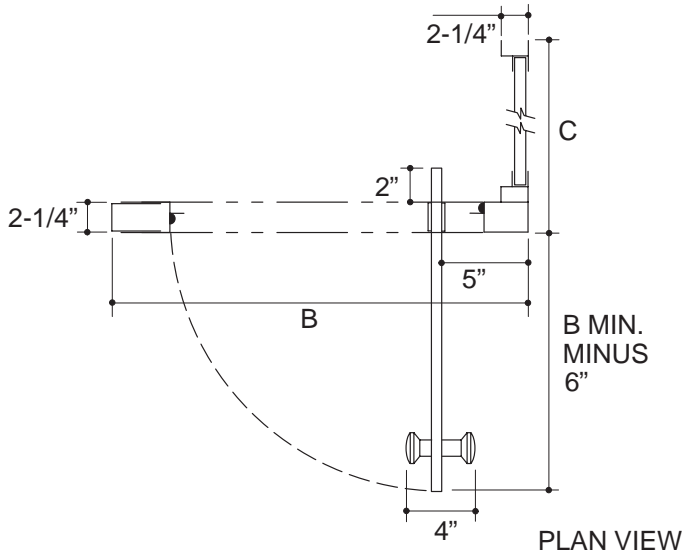
Applicable product:

Reference models and measurements below.

Installation Notes

Refer to installation instructions included with fixture before beginning installation.

NOTE: RETURN PANEL MAY BE ATTACHED ON EITHER SIDE.



Rough-In Notes	A	B	C
K-705136	72"	34"	34"