

### ROUND SLIDING SHOWER DOORS

# K-705250

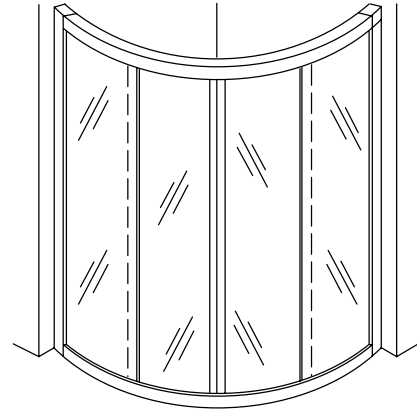
#### FEATURES

- *Swing out doors for easy cleaning*
- *Corrosion resistant*
- *Stainless steel hardware*
- *Water tight design*
- *Curved glass doors slide to left and right*

#### CODES/STANDARDS

Specified model meets or exceeds the following:

- *ANSI Z97.1 (tempered glass)*



#### GLASS OPTIONS

- L Clear

#### COLORS/FINISHES

- 0 White
- SH Bright Silver Finish
- BH Bright Brass Finish

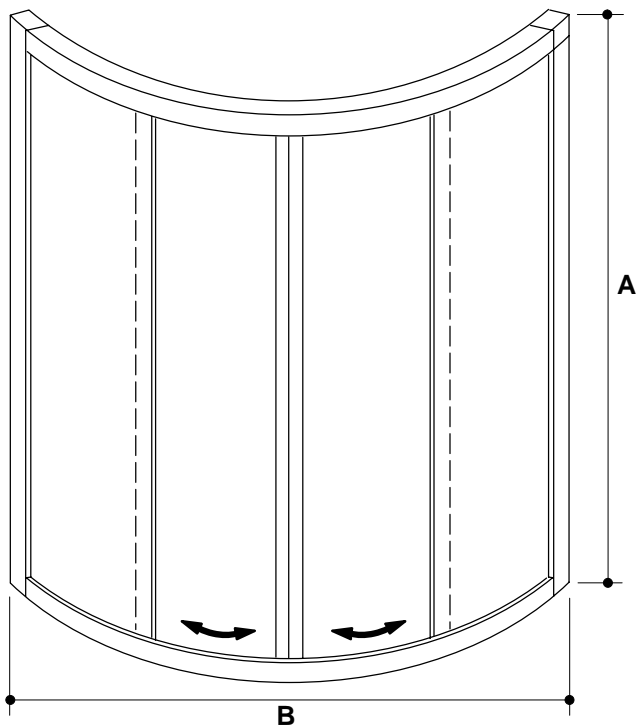
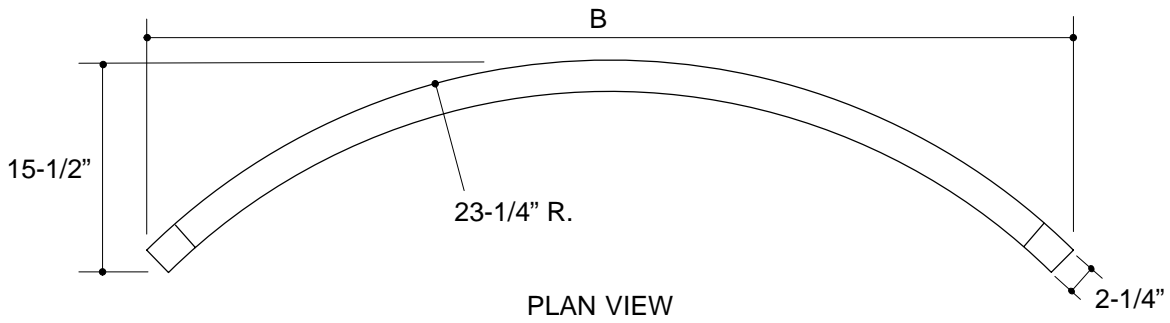
#### SPECIFIED MODEL:

| Model    | Application | Glass Options            | Frame Finishes/Colors    |                          |                          |
|----------|-------------|--------------------------|--------------------------|--------------------------|--------------------------|
|          |             | L                        | SH                       | BH                       | 0                        |
| K-705250 | Shower      | <input type="checkbox"/> | <input type="checkbox"/> | <input type="checkbox"/> | <input type="checkbox"/> |

#### PRODUCT SPECIFICATION:

Arica round sliding shower door. Door shall feature swing out doors for easy cleaning and be corrosion resistant with stainless steel hardware. Door shall have water tight design, with curved glass doors that slide to left and right. Shower door shall be Kohler Model K-705250-\_\_\_\_\_-\_\_\_\_\_.

# ARICA



| Rough-In Notes | A   | B   |
|----------------|-----|-----|
| K-705250       | 72" | 36" |

## PRODUCT DIAGRAM

**K-705250** Arica Round Sliding Shower Doors

Page 2 of 2  
115915-4-AA (-)

THE BOLD LOOK  
OF **KOHLER**®