

Ordering Information

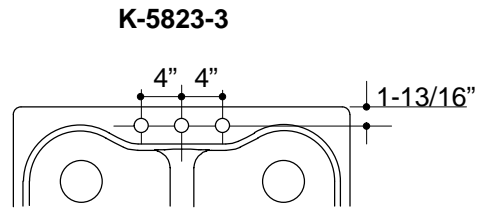
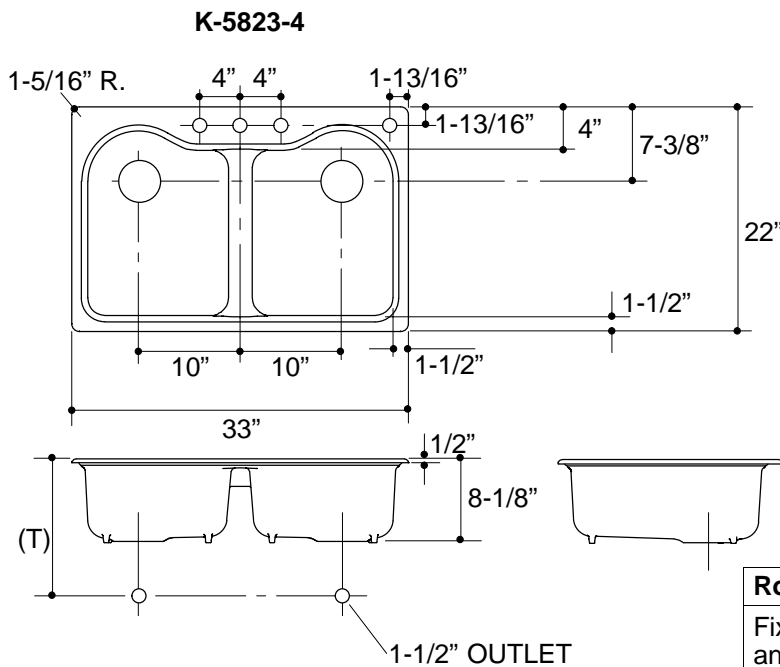
Applicable product:		
Four-hole sink	K-5823-4	shown
Three-hole sink	K-5823-3	not shown
Accessories/hardware:		
Hardwood cutting board	K-6559	optional

Product Information

Fixture*:		basin area	water depth
Sinks		14" x 18"	7"
Outlet	3-7/8" D.		
Faucet and spout holes	1-3/8" D.		
* Approximate measurements for comparison only.			

Installation Notes

Refer to installation instructions included with fixture before beginning installation.



Roughing-In Notes

Fixture dimensions are nominal and conform to tolerances in ASME/ANSI Standard A112.19.1M.

(T) Drain typically 13-1/2".

Cutout 31-3/4" x 20-3/4" with 1" radius corners.

.85<116