

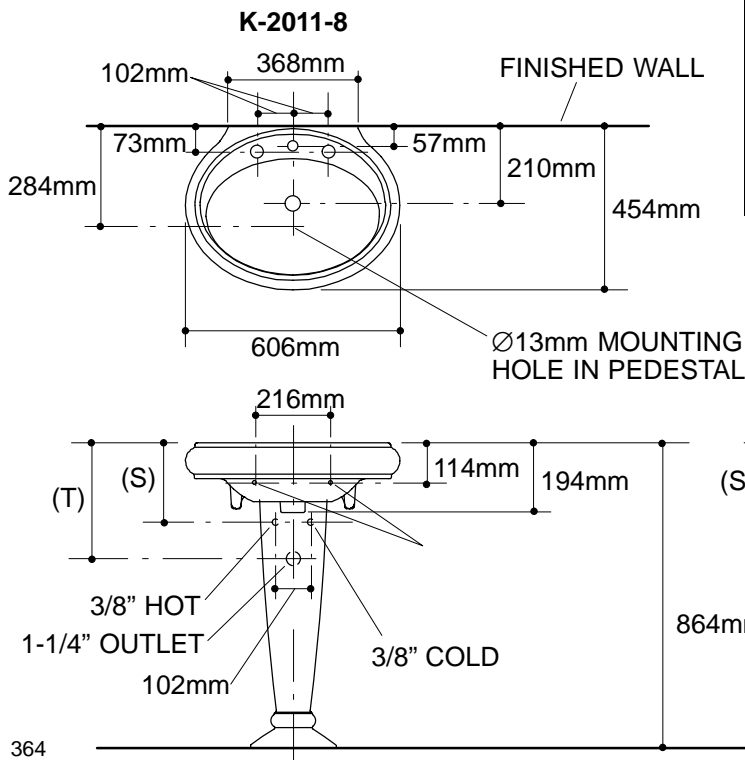
Ordering Information

Applicable product:		
203mm centers lavatory	K-2011-8	shown
102mm centers lavatory	K-2011-4	not shown
Single-hole lavatory	K-2011-1	not shown
Accessories/hardware:		
Supplies 3/8" (pair)	K-7605-P	recommended
Trap	K-9018	recommended

Product Information

Fixture*:		basin area	water depth
Lavatory		457 x 279mm	95mm
Outlet	Ø44mm		
* Approximate measurements for comparison only.			
Holes	K-2011-8	K-2011-4	K-2011-1
Spout	Ø30mm	Ø30mm	Ø35mm
Faucet	Ø37mm	Ø30mm	

Included Components:	
Lavatory basin, 203mm centers	K-2008-8
Lavatory basin, 102mm centers	K-2008-4
Lavatory basin, single-hole	K-2008-1
Pedestal	K-2003
Rubber pads	63069
Lavatory accessory pack	84017



Roughing-In Notes
Fixture dimensions are nominal and conform to tolerances in ASME Standard A112.19.2M.
(T) Pop-up drain 337mm.
(S) 254mm (Based on 305mm riser which may require cutting.)

