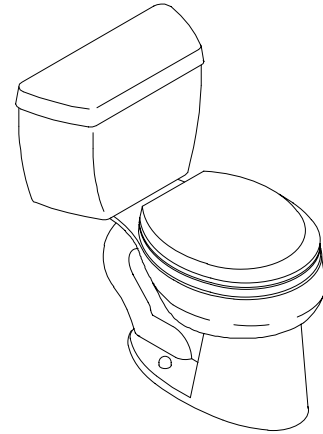


K-3423-X



FEATURES

- 12" rough-in
- Vitreous china
- Round front bowl
- 1.6 gpf
- Peacekeeper™ system
- Includes seat and cover
- Less supply
- Peacekeeper seat-actuated flush
- 2", 100% glazed trapway
- With Insuliner® insulated tank lining (-XU)
- Combination toilet

CODES/STANDARDS APPLICABLE

Specified model meets or exceeds the following:

- ASME/ANSI A112.19.2M
- ASME/ANSI A112.19.6M
- Energy Policy Act of 1992 (EPACT)
- IAPMO/UPC
- Canadian Standards Association (CSA)
- States of Connecticut, Massachusetts, New York, & Texas
- Cities of Los Angeles, CA; and New York, N.Y.

COLORS/FINISHES

- 0 White
- Other Refer to Fixtures Price Book for additional colors

Accessories:

- CP Polished Chrome
- PB Polished Brass
- Other Refer to Fixtures Price Book for additional colors

SPECIFIED MODEL:

Model	Description	Colors/Finishes	
K-3423-X	Round front bowl toilet	<input type="checkbox"/> 0 White	<input type="checkbox"/> Other_____
K-3423-XU	Toilet with Insuliner tank	<input type="checkbox"/> 0 White	<input type="checkbox"/> Other_____

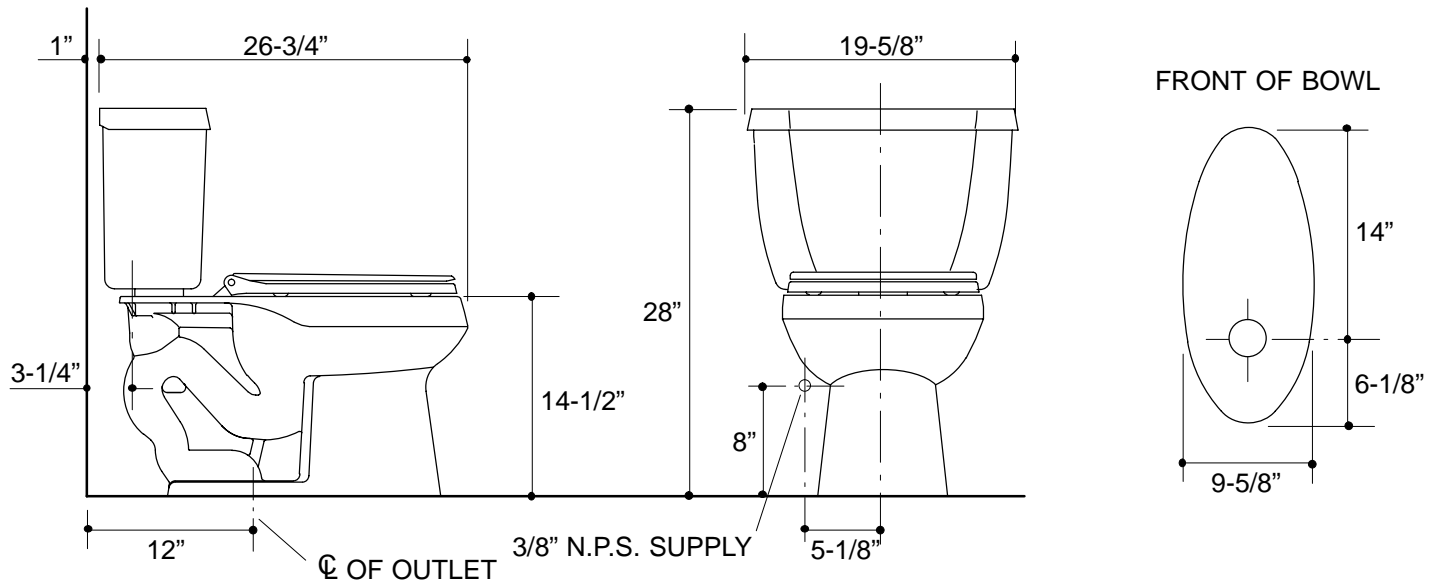
Recommended Accessories				
K-7637	Angle supply with stop	<input type="checkbox"/> CP	<input type="checkbox"/> PB	<input type="checkbox"/> Other_____

PRODUCT SPECIFICATION:

The round front combination toilet shall be 12" rough-in with Kohler Peacekeeper™ system. Toilet shall be made of vitreous china. Toilet shall be 1.6 gpf. Toilet shall include seat and cover. Toilet shall be less supply. Toilet shall have Peacekeeper seat-actuated flush. Toilet shall have a 2", 100% glazed trapway. Toilet shall have Insuliner® insulated tank lining (-XU). Toilet shall be Kohler Model K-3423-_____-_____.

PRODUCT INFORMATION

Fixture:	
Configuration	2-piece, round front
Gallons per flush	1.6
Passageway	2"
Water depth from rim	6"
Seat post hole centers	5-1/2"
Included Components:	
Bowl	K-4277
Tank and seat	K-4620-XR
Tank cover	84635
Peacekeeper assembly	82993



116

PRODUCT DIAGRAM