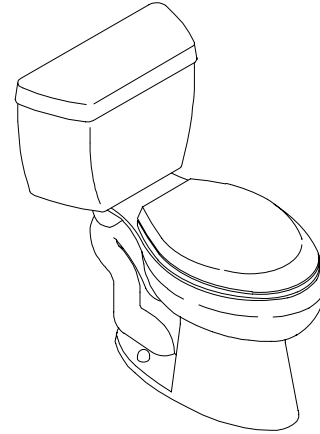


K-3427-X

ADA



FEATURES

- 12" rough-in
- Vitreous china
- Elongated bowl
- Gravity flush
- 1.6 gpf
- Peacekeeper™ system
- Includes seat and cover
- Less supply
- 16-1/2" high bowl is ADA compliant
- Peacekeeper seat-actuated flush
- 2", 100% glazed trapway
- With Insuliner® insulated tank lining (-XU)
- Combination toilet

CODES/STANDARDS APPLICABLE

Specified model meets or exceeds the following:

- ADA
- ASME/ANSI A112.19.2M
- ASME/ANSI A112.19.6M
- CABO/ANSI A117.1
- Energy Policy Act of 1992 (EPACT)
- IAPMO/UPC

COLORS/FINISHES

- 0 White
- Other Refer to Fixtures Price Book for additional colors

Accessories:

- CP Polished Chrome
- PB Polished Brass
- Other Refer to Fixtures Price Book for additional colors

SPECIFIED MODEL:

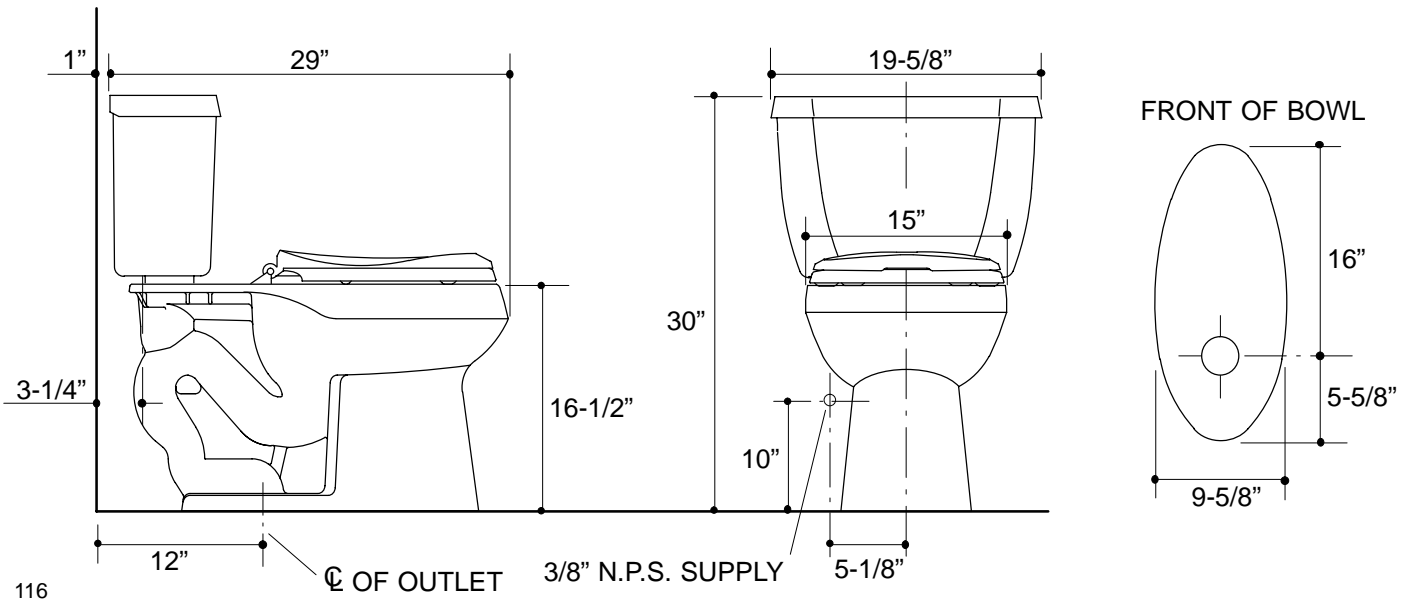
Model	Description	Colors/Finishes		
K-3427-X	Elongated bowl toilet	<input type="checkbox"/> 0 White	<input type="checkbox"/> Other_____	
K-3427-XU	Toilet with Insuliner tank	<input type="checkbox"/> 0 White	<input type="checkbox"/> Other_____	
Recommended Accessories				
K-7637	Angle supply with stop	<input type="checkbox"/> CP	<input type="checkbox"/> PB	<input type="checkbox"/> Other_____

PRODUCT SPECIFICATION:

The elongated combination toilet shall be 12" rough-in with Kohler Peacekeeper™ system. Toilet shall be made of vitreous china. Toilet shall be gravity flush. Toilet shall be 1.6 gpf. Toilet shall include seat and cover. Toilet shall be less supply. Toilet shall be ADA compliant with 16-1/2" high bowl. Toilet shall have Peacekeeper seat-actuated flush. Toilet shall have 2", 100% glazed trapway. Toilet shall have Insuliner® insulated tank lining (-XU). Toilet shall be Kohler Model K-3427-_____-_____.

PRODUCT INFORMATION

ADA compliant.	
Fixture:	
Configuration	2-piece, elongated
Gallons per flush	1.6
Passageway	2"
Water depth from rim	6"
Seat post hole centers	5-1/2"
Included Components:	
Bowl	K-4274
Tank and seat	K-4620-XE
Tank cover	84635
Peacekeeper assembly	82993



PRODUCT DIAGRAM