

Ordering Information

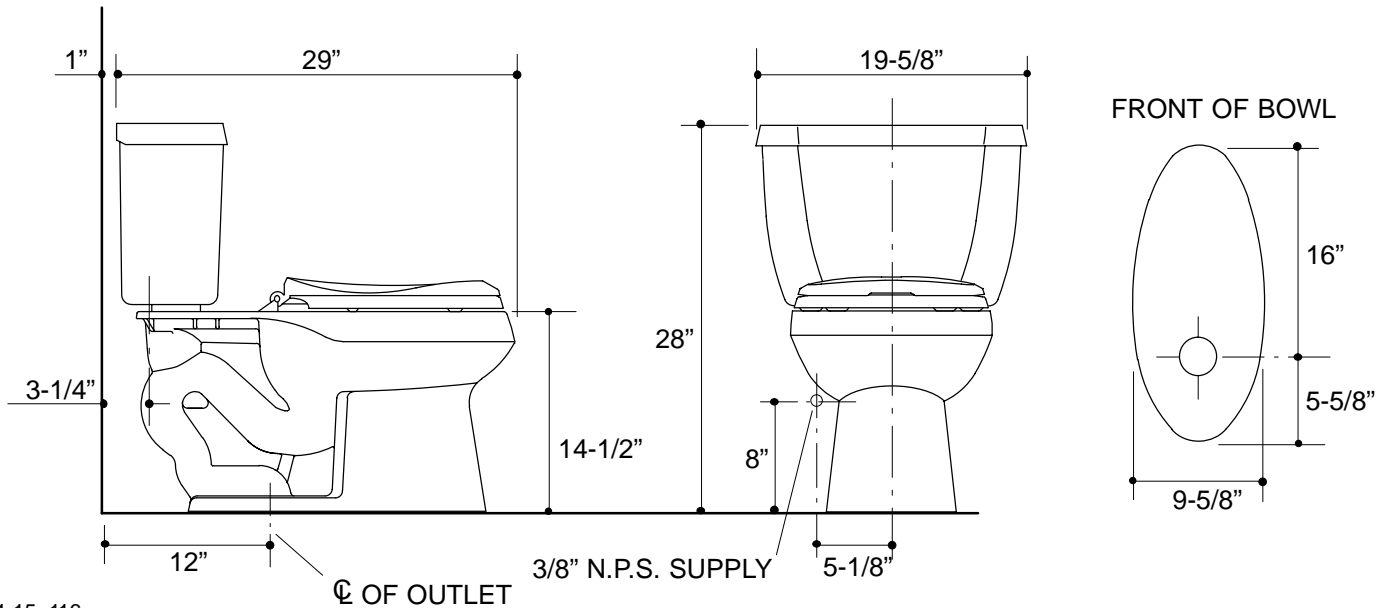
Applicable toilet:		
With standard tank	K-3422-X	shown
With insuliner	K-3422-XU	not shown
Accessories/hardware:		
3/8" supply	K-7637	recommended
Floor bolts (pr.)	21401	recommended

Product Information

Fixture:	
Configuration	2-piece, elongated
Gallons per flush	1.6
Passageway	2"
Water depth from rim	6"
Seat post hole centers	5-1/2"
Included Components:	
Bowl	K-4276
Tank and seat	K-4620-XE
Tank cover	84635
Peacekeeper assembly	82993

Roughing-In Notes

Fixture dimensions are nominal and conform to tolerances in ASME Standard A112.19.2M.



1.15>116

K-3422-X Wellworth™ Toilet
116011-1-AA (-)