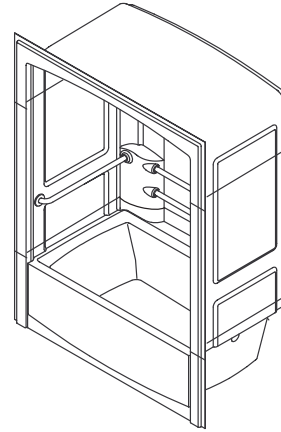


BATH AND SHOWER MODULE

K-12203, K-12204

ADA



FEATURES

- 57" x 36-5/8" x 80-1/2" inside finished dimensions
- ADA compliant
- 64-3/4" x 37" x 84" rough-in dimensions
- Acrylic
- Left or right drain
- Integral soap ledge
- Nylon grab bars (-N), grey bars supplied with White and Biscuit modules, white bars supplied with others
- Brushed stainless steel grab bars (-C)
- Polished stainless steel grab bars (-P)
- Removable, multi-position seat
- Slip-resistant floor
- Three-piece design for remodeling installations

CODES/STANDARDS APPLICABLE

Specified model meets or exceeds the following:

- ANSI Z124.2
- ADA
- CABO/ANSI A117.1
- IAPMO/UPC

COLORS/FINISHES

- 0 White with grey seat
- 96 Biscuit with grey seat
- Other With white seat, refer to Fixtures Price Book for additional colors

Accessories:

- CP Polished Chrome
- PB Polished Brass
- SH Bright Silver
- BH Bright Brass
- Other Refer to Faucets Price Book for additional finishes
- NA None Applicable

SPECIFIED MODEL:

Model	Description	Module Colors/Finishes	
K-12203-N	Module with drain at left (nylon grab bars)	<input type="checkbox"/> 0 White	<input type="checkbox"/> Other _____
K-12203-C	Module with drain at left (brushed stainless steel grab bars)	<input type="checkbox"/> 0 White	<input type="checkbox"/> Other _____
K-12203-P	Module with drain at left (polished stainless steel grab bars)	<input type="checkbox"/> 0 White	<input type="checkbox"/> Other _____
K-12204-N	Module with drain at right (nylon grab bars)	<input type="checkbox"/> 0 White	<input type="checkbox"/> Other _____
K-12204-C	Module with drain at right (brushed stainless steel grab bars)	<input type="checkbox"/> 0 White	<input type="checkbox"/> Other _____
K-12204-P	Module with drain at right (polished stainless steel grab bars)	<input type="checkbox"/> 0 White	<input type="checkbox"/> Other _____

Accessories on Page 2

PRODUCT SPECIFICATION:

The three-piece bath and shower module inside finished dimensions shall be 57" in length, 36-5/8" in width, and 80-1/2" in height. Module shall be ADA compliant. Module rough-in dimensions shall be 64-3/4" in length, 37" in width, and 84" in height. Module shall be made of acrylic. Module shall have a drain left or right. Module shall have integral soap ledges. Module shall have nylon grab bars (-N), (grey bars supplied with White and Biscuit modules, white bars supplied with others). Module shall have brushed stainless steel grab bars (-C). Module shall have polished stainless steel grab bars (-P). Module shall have a removable, multi-position seat right or left. Module shall have a slip-resistant floor. Module shall be Kohler Model K-_____-_____-_____.

FREEWILL™

Recommended Accessories			
K-7161-AF	Drain	<input type="checkbox"/> CP	<input type="checkbox"/> PB <input type="checkbox"/> Other_____
Optional Accessories			
K-1570	Dome light	<input type="checkbox"/> NA	
K-701026	Focal bypass bath door* OR	<input type="checkbox"/> SH	<input type="checkbox"/> BH
K-703012	Forum™ bypass bath door* OR	<input type="checkbox"/> SH	<input type="checkbox"/> BH <input type="checkbox"/> 0 White
K-704010	Helios™ bath door* OR	<input type="checkbox"/> SH	<input type="checkbox"/> BH <input type="checkbox"/> 0 White
K-704012	Helios™ bath screen*	<input type="checkbox"/> SH	<input type="checkbox"/> BH <input type="checkbox"/> 0 White

* Refer to Fixtures Price Book for glass options.

PRODUCT INFORMATION

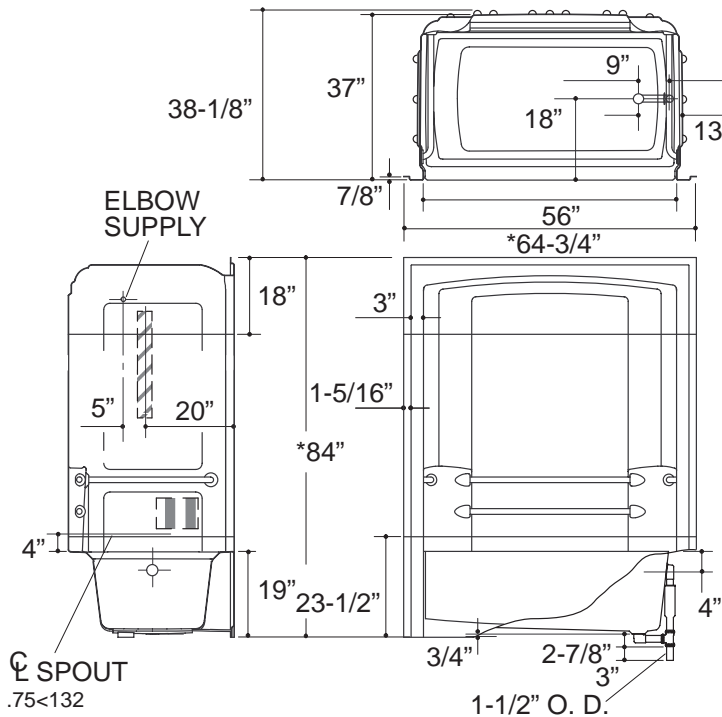
ADA compliant			
Fixture*:	basin area	top area	weight
Bathing well	44" x 23"	51" x 26"	200 lbs.
	water depth	capacity	
To overflow	13"	55 gal.	
Configuration			3-piece
* Approximate measurements for comparison only.			
Drain Outlet			2-1/4" D.

INSTALLATION NOTES

Fixture not drilled for supply fittings.

Shimming may be required to level fixture.

For optimum accessibility, specify faucets and fittings to install and operate within the control area shown.



Roughing-In Notes

*Recess opening must be 65" x 84-1/4".

No change in measurements if connected with drain illustrated.

Stud opening tolerance (+ 1/4" - 0"). When fire rated wall is specified, dimensions are to the inside of the wall board. Some shimming between stud frame and fixture may be required.

Provide clear floor space per ANSI A117.1, and as shown.

	Represents control area for faucets.
	Represents 24" wall mount slide bar.
	Represents clear floor space for 36" x 60" side entrance.
	Represents clear floor space for 48" x 60" front entrance.

PRODUCT DIAGRAM