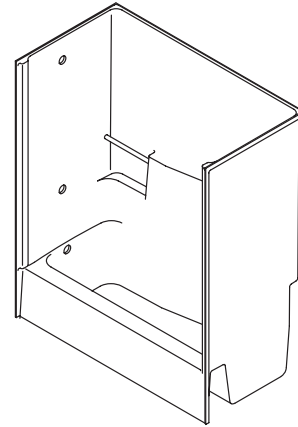


BATH AND SHOWER MODULE

K-1532-AF, K-1533-AF



FEATURES

- 60" x 31-7/8" x 73-3/4"
- Fiberglass (FRP)
- Left or right outlet
- Acrylic grab bar
- Built-in ledges
- Molded-in textured basin
- For above the floor roughing-in
- Regional availability

CODES/STANDARDS APPLICABLE

Specified model meets or exceeds the following:

- ANSI Z124.2
- IAPMO/UPC
- Canadian Standards Association (CSA)

COLORS/FINISHES

- 0 White
- 47 Almond
- 96 Biscuit

Accessories:

- 0 White
- CP Polished Chrome
- PB Polished Brass
- SH Bright Silver
- BH Bright Brass
- Other Refer to Faucets Price Book for additional finishes

SPECIFIED MODEL:

Model	Description	Colors/Finishes		
K-1532-AF	Right outlet shower module	<input type="checkbox"/> White	<input type="checkbox"/> Almond	<input type="checkbox"/> Biscuit
K-1533-AF	Left outlet shower module	<input type="checkbox"/> White	<input type="checkbox"/> Almond	<input type="checkbox"/> Biscuit

Recommended Accessories				
K-7160-AF	Drain	<input type="checkbox"/> CP	<input type="checkbox"/> PB	<input type="checkbox"/> Other_____
K-701000	Focal bypass shower door* OR	<input type="checkbox"/> SH	<input type="checkbox"/> BH	<input type="checkbox"/> White
K-701026	Focal bypass shower door* OR	<input type="checkbox"/> SH	<input type="checkbox"/> BH	<input type="checkbox"/> White
K-703012	Forum™ shower door*	<input type="checkbox"/> SH	<input type="checkbox"/> BH	<input type="checkbox"/> White

* Refer to Fixtures Price Book for glass options.

PRODUCT SPECIFICATION:

The one-piece bath and shower module shall be 60" in length, 31-7/8" in width, and 73-3/4" in height. Bath and shower module shall be made of fiberglass (FRP). Bath and shower module shall have either left or right outlet. Bath and shower module shall have an acrylic grab bar. Bath and shower module shall have built-in ledges. Bath and shower module shall have a molded-in textured basin. Bath and shower module shall be for above the floor roughing-in. Bath and shower module shall be Kohler Model K-_____-AF-_____.

COMPLIMENT™

PRODUCT INFORMATION

Fixture*:	basin area	top area	weight
Bathing well	48" x 22"	56" x 24"	95 lbs.
	water depth	capacity	
To overflow	9"	35 gals.	
Configuration			1-piece
* Approximate measurements for comparison only.			

INSTALLATION NOTES

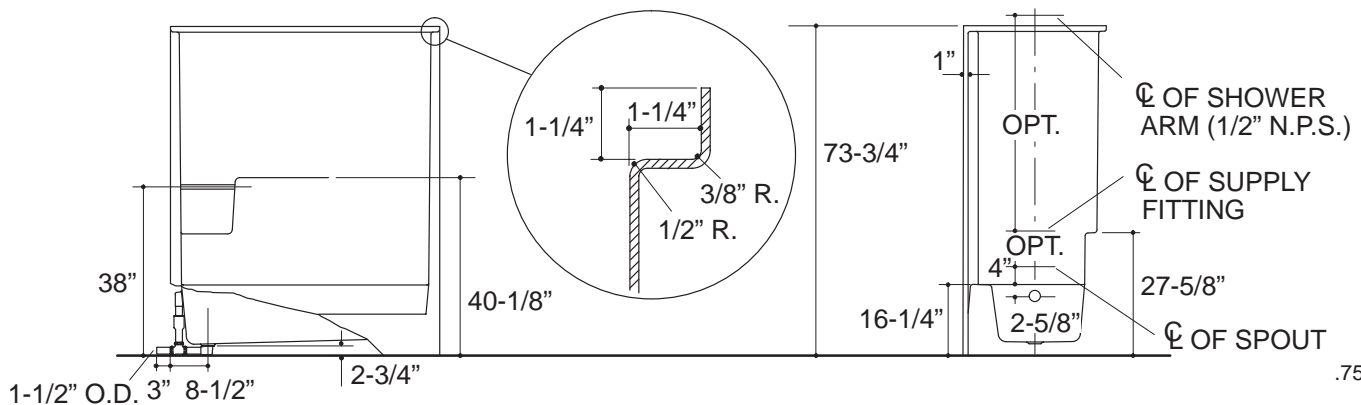
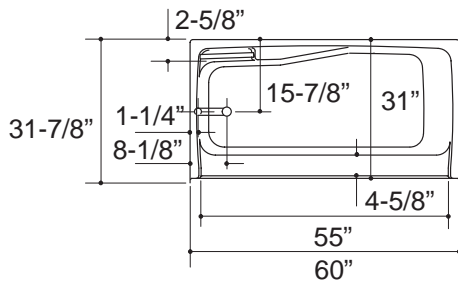
Fixture not drilled for supply fittings.

Shimming may be required to level fixture.

Roughing-In Notes

No change in measurements if connected with drain illustrated.

Stud opening tolerance (+ 1/4" - 0"). When fire rated wall is specified, dimensions are to the inside of the wall board. Some shimming between stud frame and fixture may be required.



.75<132

PRODUCT DIAGRAM