

## Ordering Information

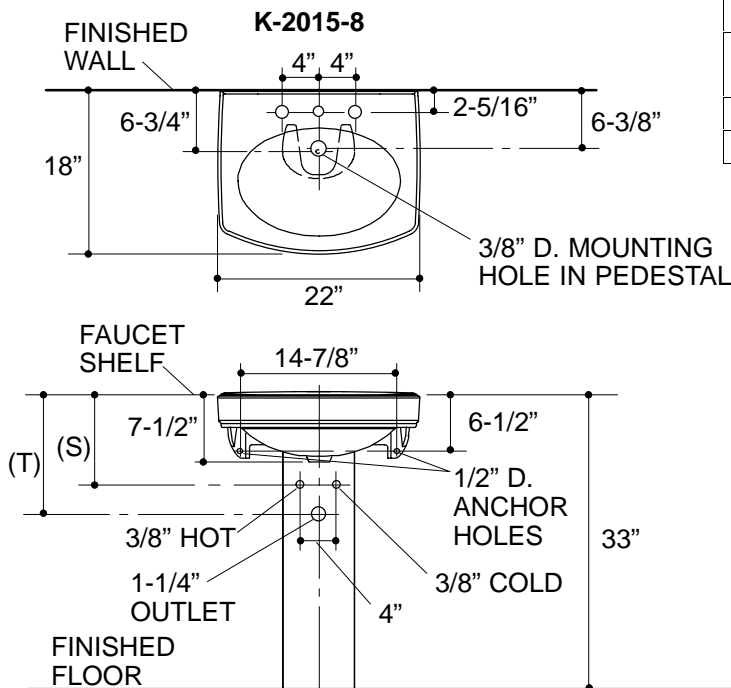
Applicable product:		
8" centers lavatory	K-2015-8	shown
4" centers lavatory	K-2015-4	not shown
Single-hole lavatory	K-2015-1	not shown
Accessories/hardware:		
Supplies 3/8" (pair)	K-7605-P	recommended
Trap	K-9018	recommended

## Product Information

Fixture*:		basin area	water depth
Lavatory		18" x 12"	4"
Outlet	1-3/4" D.		
* Approximate measurements for comparison only.			

Holes	<b>K-2015-8</b>	<b>K-2015-4</b>	<b>K-2015-1</b>
Spout	1-3/16" D.	1-3/16" D.	1-3/8" D.
Faucet	1-7/16" D.	1-3/16" D.	

Included Components:	
Lavatory basin, 8" centers	K-2028-8
Lavatory basin, 4" centers	K-2028-4
Lavatory basin, single-hole	K-2028-1
Pedestal	K-2033
Rubber pads	63069
Lavatory accessory pack	52204



<b>Roughing-In Notes</b>
Fixture dimensions are nominal and conform to tolerances in ASME Standard A112.19.2M.
(T) Pop-up drain 13-1/8".
(S) 10" (Based on 12" riser which may require cutting).

