

**BATH AND SHOWER FAUCET**

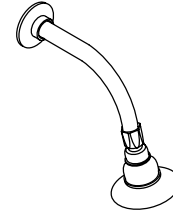
**K-12007**

**ALSO K-T12007, K-12014, K-T12014,  
K-T12021, K-304-K**

**FEATURES**

- Metal construction
- Brass valve body
- Rite-Temp pressure-balancing diaphragm design valve
- High-temperature limit stop
- Pressure-balancing mechanism of one-piece diaphragm cartridge design for ease of maintenance
- Mixing valve cycles from “cold” to “hot”
- Lever handle

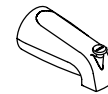
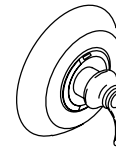
**ADA**



**CODES/STANDARDS APPLICABLE**

Specified model meets or exceeds the following:

- ASME/ANSI A112.18.1M
- ASSE/ANSI 1016
- CSA B125
- IAPMO/UPC



**COLORS/FINISHES**

- CP Polished Chrome
- Other Refer to Faucets Price Book for additional finishes

**SPECIFIED MODEL:**

**COMPLETE FAUCET:** Faucet trim and Rite-Temp valve included.

Model	Description		
K-12007-4S	Bath and Shower Faucet, With Slip-Fit Diverter Bath Spout	<input type="checkbox"/> CP	<input type="checkbox"/> Other_____
K-12014-4	Shower Faucet	<input type="checkbox"/> CP	<input type="checkbox"/> Other_____

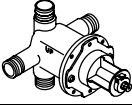
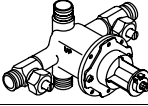
**SEPARATE TRIM AND RITE-TEMP VALVE:** For complete faucet, both faucet trim and Rite-Temp valve must be specified.

Model	Description		
K-T12007-4	Bath and Shower Faucet Trim, With N.P.T. Diverter Bath Spout	<input type="checkbox"/> CP	<input type="checkbox"/> Other_____
K-T12007-4S	Bath and Shower Faucet Trim, With Slip-Fit Diverter Bath Spout	<input type="checkbox"/> CP	<input type="checkbox"/> Other_____
K-T12014-4	Shower Faucet Trim	<input type="checkbox"/> CP	<input type="checkbox"/> Other_____
K-T12021-4	Valve Only Trim	<input type="checkbox"/> CP	<input type="checkbox"/> Other_____

**Required Accessory on Page 2.**

**PRODUCT SPECIFICATION:**

Rite-Temp pressure-balancing single-control bath and shower faucet shall be of metal construction. Faucet shall feature a brass valve body. The valve shall mix the water from the “off” position, through the “cold” to the “hot”, and includes a high-temperature limit stop. The pressure-balancing mechanism shall be of one-piece diaphragm cartridge design for ease of maintenance. Bath and shower faucet shall include showerhead with arm and flange, faceplate with handle, and 4-7/8” diverter spout with N.P.T. or slip-fit connection. Shower only faucet shall include showerhead with arm and flange, and faceplate with handle. Valve only trim shall include faceplate with handle. Complete faucet shall be Kohler Model K-\_\_\_\_\_ - \_\_\_\_\_ - \_\_\_\_\_ **OR** separate trim and valve shall be Kohler Model K-T\_\_\_\_\_ - \_\_\_\_\_ - \_\_\_\_\_ with K-304-\_\_\_\_\_ -NA Rite-Temp valve.

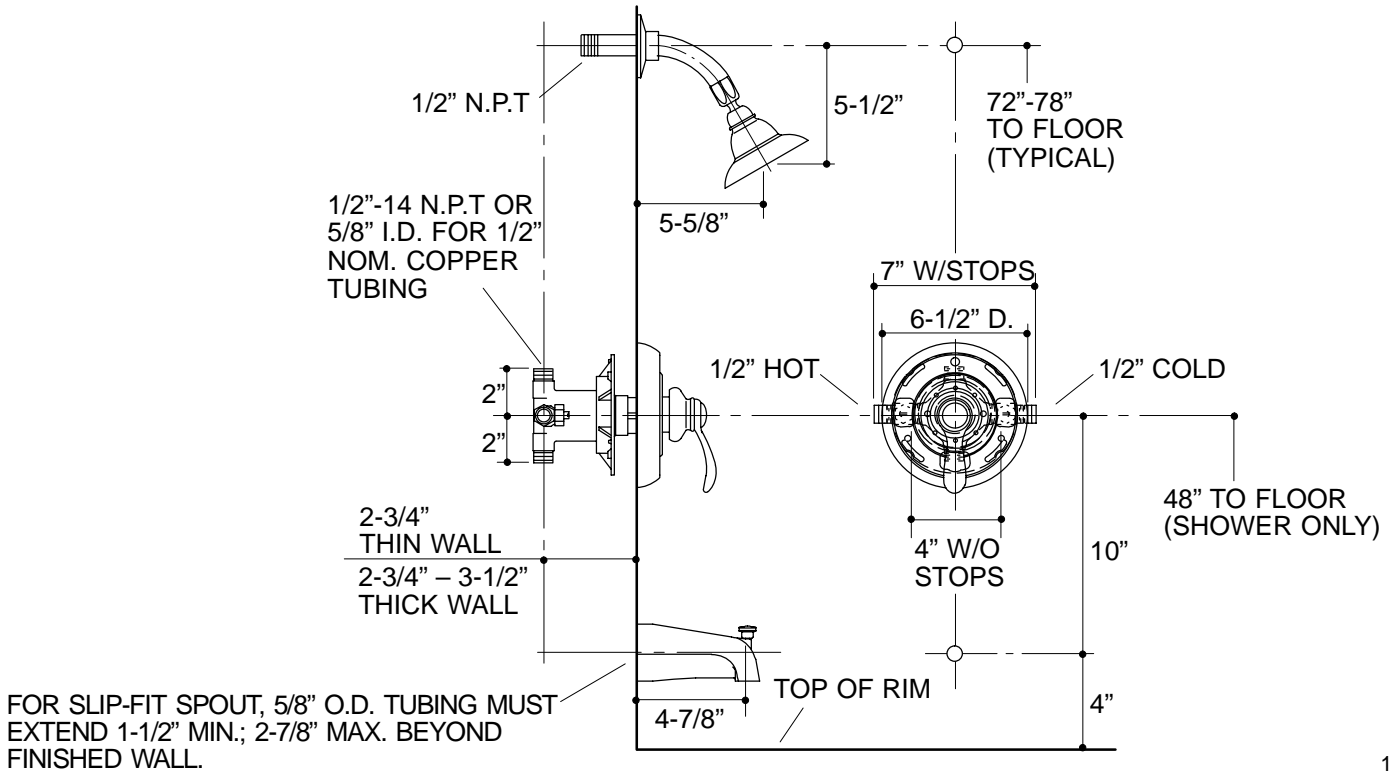
Required Accessory (For K-T12007, K-T12014, and K-T12021 Only)			
K-304-K	Rite-Temp Valve Without Stops	<input type="checkbox"/> NA	
K-304-KS	Rite-Temp Valve With Stops		<input type="checkbox"/> NA

## INSTALLATION NOTES

Avoid cross-flow conditions. Do not install shut-off device on either valve outlet.

Cap shower outlet if deck-mount spout, diverter, or handshower is connected to spout outlet.

Install straight pipe or tube drop of 7 to 18" with single elbow between valve and wall-mount spout.



18

## PRODUCT DIAGRAM