

Ordering Information

Applicable faucet:		
Complete bath and shower faucet with K-304-K Rite-Temp valve and slip-fit spout. (shown)	K-12007-4S	
Bath and shower trim only with lever handle with N.P.T. spout*	K-T12007-4	
Bath and shower trim only with lever handle with slip-fit spout*	K-T12007-4S	
Complete shower faucet with K-304-K Rite-Temp valve. (shown)	K-12014-4	
Valve trim only with lever handle*	K-T12014-4	
Valve trim only with lever handle*	K-T12021-4	
*Rite-Temp valve must be ordered to complete faucet.		
Applicable Rite-Temp valve only:		
Rite-Temp valve without stops	K-304-K	shown**
Rite-Temp valve with stops	K-304-KS	not shown**

Hi Flow Rite-Temp valve with integral stops	K-306-KS	not shown**
Hi Flow Rite-Temp thin wall installation kit	88526	not shown
**Required for configuration illustrated.		
ADA Lever handle is ADA compliant		

Product Information

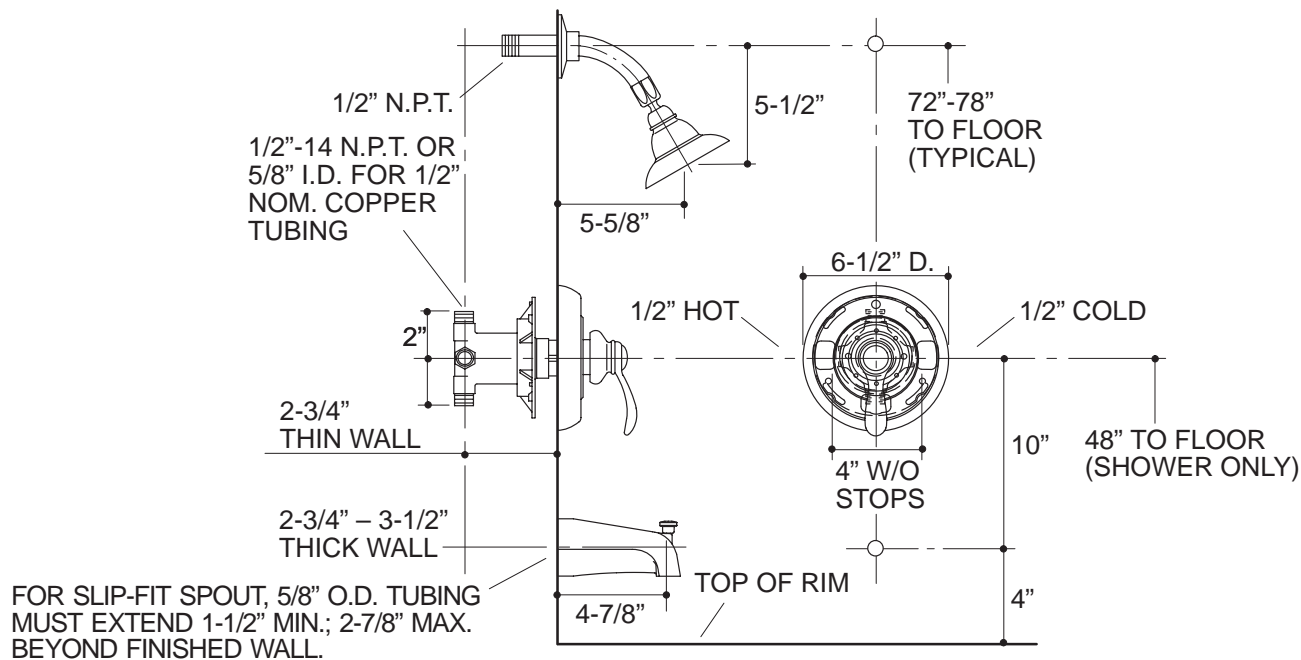
WARNING: Risk of damage to the K-306-KS valve assembly. When using the K-306-KS valve in a fiberglass or acrylic installation, use the thin wall installation kit (88526).

Installation Notes

Avoid cross-flow conditions. Do not install shut-off device on either valve outlet.

Cap shower outlet if deck-mount spout, diverter, or handshower is connected to spout outlet.

Install straight pipe or tube drop of 7 to 18" with single elbow between valve and wall-mount spout.



Roughing-In Notes

Complete bath and shower faucet with K-304-K Rite-Temp valve and slip-fit spout shown.