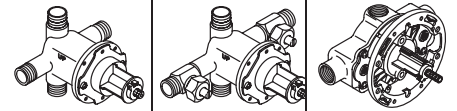


FAIRFAX™

Required Accessory

(For K-T12007, K-T12014, and K-T12021 Only)

| | | | | |
|----------|---|-----------------------------|-----------------------------|-----------------------------|
| K-304-K | Rite-Temp Valve Without Stops | <input type="checkbox"/> NA | | |
| K-304-KS | Rite-Temp Valve With Stops | | <input type="checkbox"/> NA | |
| K-306-KS | Hi Flow Rite-Temp Valve With Integral Stops | | | <input type="checkbox"/> NA |



Optional Accessory

| | | | | | |
|---------|--|--------------------------------|-----------------------------|-----------------------------|--------------------------------|
| K-12002 | Plug Button Set | <input type="checkbox"/> Other | | | |
| 88526 | Hi Flow Rite-Temp Thin Wall Installation Kit | | <input type="checkbox"/> CP | <input type="checkbox"/> PB | <input type="checkbox"/> Other |



PRODUCT INFORMATION

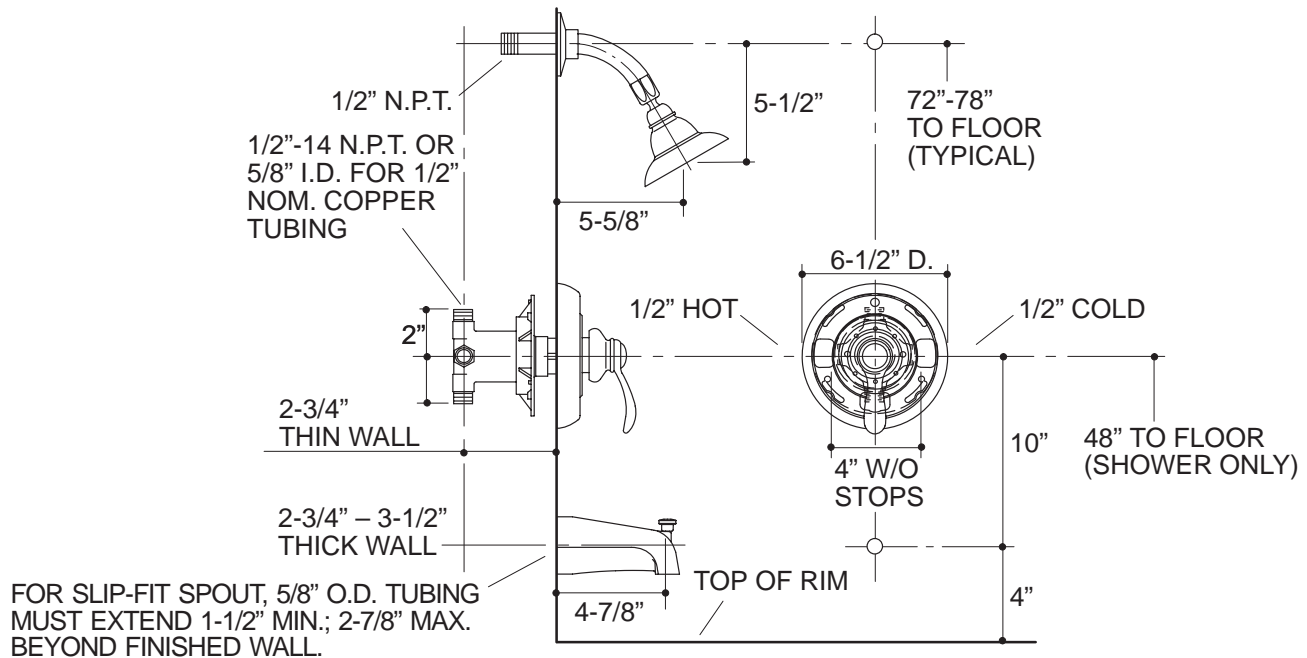
WARNING: Risk of damage to the K-306-KS valve assembly. When using the K-306-KS valve in a fiberglass or acrylic installation, use the thin wall installation kit (88526).

INSTALLATION NOTES

Avoid cross-flow conditions. Do not install shut-off device on either valve outlet.

Cap shower outlet if deck-mount spout, diverter, or handshower is connected to spout outlet.

Install straight pipe or tube drop of 7 to 18" with single elbow between valve and wall-mount spout.



Roughing-In Notes

Complete bath and shower faucet with K-304-K Rite-Temp valve and slip-fit spout shown.

PRODUCT DIAGRAM