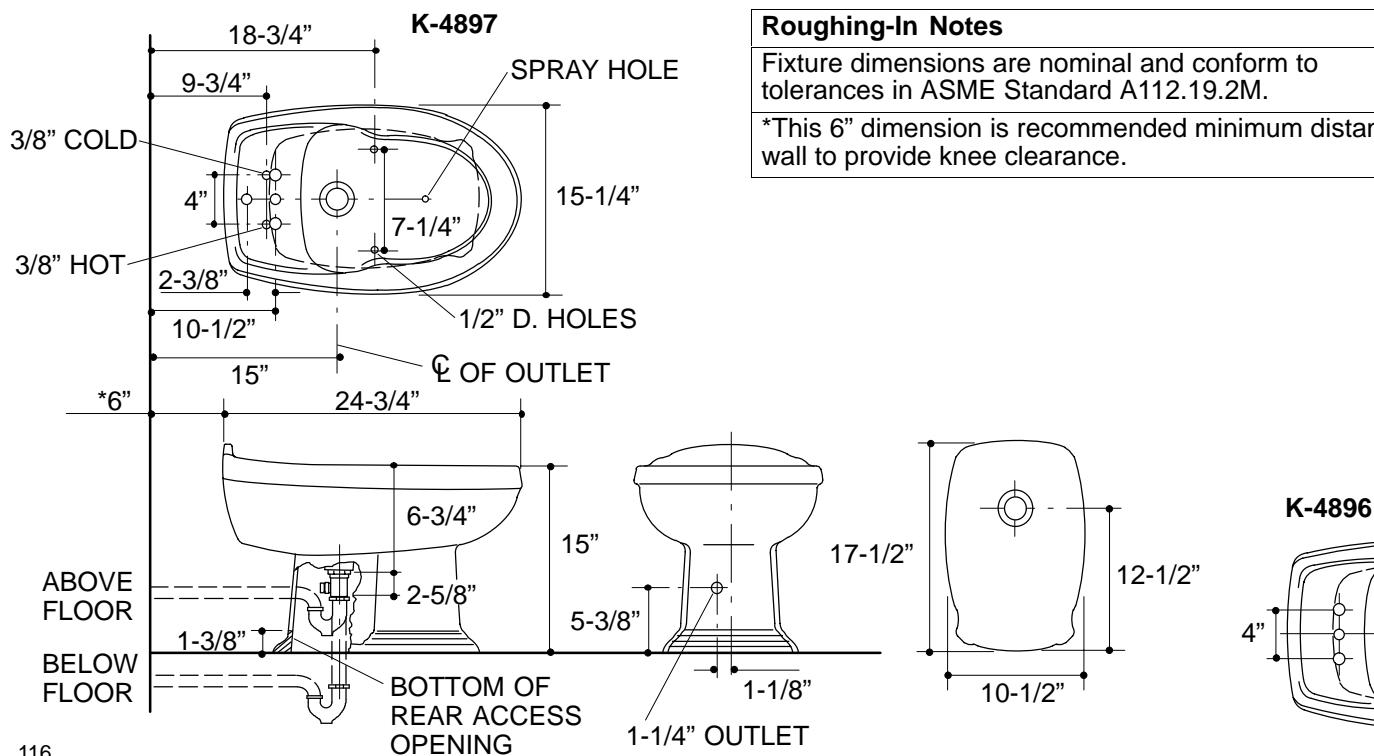


Ordering Information

Applicable product:		
4-hole vertical spray bidet	K-4897	shown
3-hole horizontal spray bidet	K-4896	not shown
Accessories/hardware:		
Trap	K-9018	recommended

Product Information

Fixture:			
Holes	K-4896	K-4897	
Faucet	1-3/8" D.	1-3/8" D.	
Pop-up	1-1/8" D.	1-1/8" D.	
Spray		3/4" D.	
Diverter		1-5/16" D.	
Configuration		Faucet deck	
Outlet		1-3/4" D.	
Included Components:			
Floor screws and bolt caps		52049	



Roughing-In Notes

Fixture dimensions are nominal and conform to tolerances in ASME Standard A112.19.2M.

*This 6" dimension is recommended minimum distance to wall to provide knee clearance.