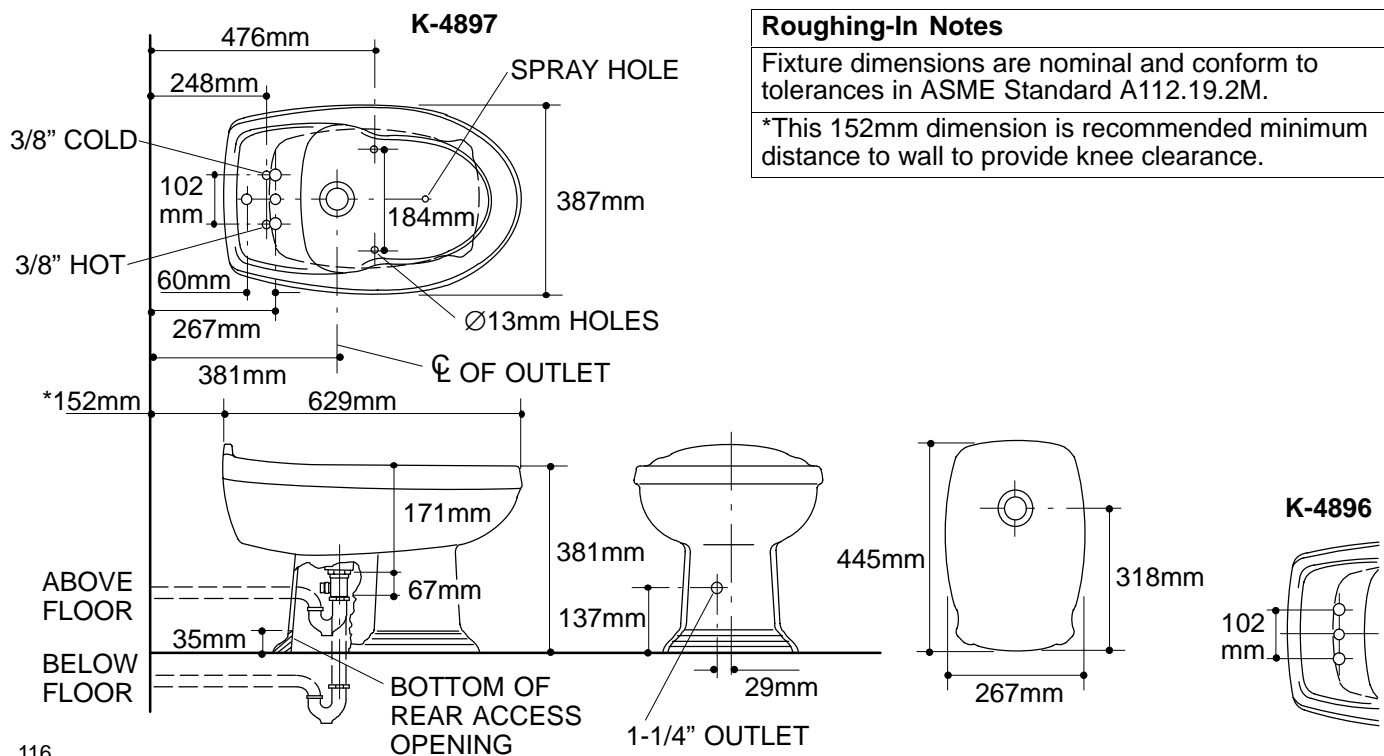


Ordering Information

Applicable product:		
4-hole vertical spray bidet	K-4897	shown
3-hole horizontal spray bidet	K-4896	not shown
Accessories/hardware:		
Trap	K-9018	recommended

Product Information

Fixture:			
Holes	K-4896	K-4897	
Faucet	Ø35mm	Ø35mm	
Pop-up	Ø29mm	Ø29mm	
Spray		Ø19mm	
Diverter		Ø33mm	
Configuration			Faucet deck
Outlet			Ø44mm
Included Components:			
Floor screws and bolt caps			52049



Roughing-In Notes

Fixture dimensions are nominal and conform to tolerances in ASME Standard A112.19.2M.

*This 152mm dimension is recommended minimum distance to wall to provide knee clearance.