

FEATURES

- Vitreous china
- Drilled for fixture-mounted centerset over-the-rim bidet faucet (3-hole) or front fill and vertical spray (4-hole)
- For above or below the floor rough-in
- 4-hole (K-4897), 3-hole (K-4896)

K-4896, K-4897



K-4896



K-4897

CODES/STANDARDS APPLICABLE

Specified model meets or exceeds the following:

- ASME/ANSI A112.19.2M
- IAPMO/UPC
- Canadian Standards Association (CSA)

COLORS/FINISHES

- 0 White
- Other Refer to Fixtures Price Book for additional colors

Accessories:

- CP Polished Chrome
- PB Polished Brass
- Other Refer to Faucets Price Book for additional finishes

SPECIFIED MODEL:

Model	Description	Colors/Finishes		
K-4896	3-hole bidet (centerset)	<input type="checkbox"/> 0 White	<input type="checkbox"/> Other_____	
K-4897	4-hole bidet (integral fill and vertical spray)	<input type="checkbox"/> 0 White	<input type="checkbox"/> Other_____	
Recommended Accessories				
K-9018	Trap	<input type="checkbox"/> CP	<input type="checkbox"/> PB	<input type="checkbox"/> Other_____
Recommended Faucets For K-4896				
K-6226-4	Flair™ Lever faucet OR	<input type="checkbox"/> CP	<input type="checkbox"/> PB	
K-8240	Taboret® LX faucet OR	<input type="checkbox"/> Other_____		
K-8240-K	Taboret base faucet OR	<input type="checkbox"/> CP	<input type="checkbox"/> PB	
K-9279-K	Triton™/Finesse™/Flair Acrylic base faucet OR	<input type="checkbox"/> CP	<input type="checkbox"/> PB	
K-9299-2	Alternat™ faucet OR	<input type="checkbox"/> CP	<input type="checkbox"/> PB	<input type="checkbox"/> Other_____
K-14532	Paladar™ faucet OR	<input type="checkbox"/> CP	<input type="checkbox"/> PB	<input type="checkbox"/> Other_____
K-15894-K	Coralais™ basefaucet OR	<input type="checkbox"/> CP	<input type="checkbox"/> PB	
K-16131	Revival™ faucet	<input type="checkbox"/> CP	<input type="checkbox"/> PB	<input type="checkbox"/> Other_____
Recommended Faucets For K-4897				
K-142	Antique™ faucet OR	<input type="checkbox"/> CP	<input type="checkbox"/> PB	
K-6221-4	Flair™ Lever faucet OR	<input type="checkbox"/> CP	<input type="checkbox"/> PB	
K-6412	Neuville™ faucet OR	<input type="checkbox"/> CP	<input type="checkbox"/> PB	
K-6814	IV Georges Brass™ faucet OR	<input type="checkbox"/> PB		<input type="checkbox"/> Other_____
K-7921	Cirrus™ faucet OR	<input type="checkbox"/> CP	<input type="checkbox"/> PB	
K-7931	Pillows™ faucet OR	<input type="checkbox"/> PB		<input type="checkbox"/> Other_____
K-616	Finial Art faucet OR	<input type="checkbox"/> Other_____		

Additional Faucets on Page 2

PRODUCT SPECIFICATION:

The bidet shall be made of vitreous china. Bidet shall be drilled for fixture-mounted centerset over-the-rim bidet faucet (3-hole) or front fill and vertical spray (4-hole). Bidet shall be for above or below the floor rough-in. Bidet shall be 4-hole (K-4897) or 3-hole (K-4896). Bidet shall be Kohler Model K-_____ -_____.

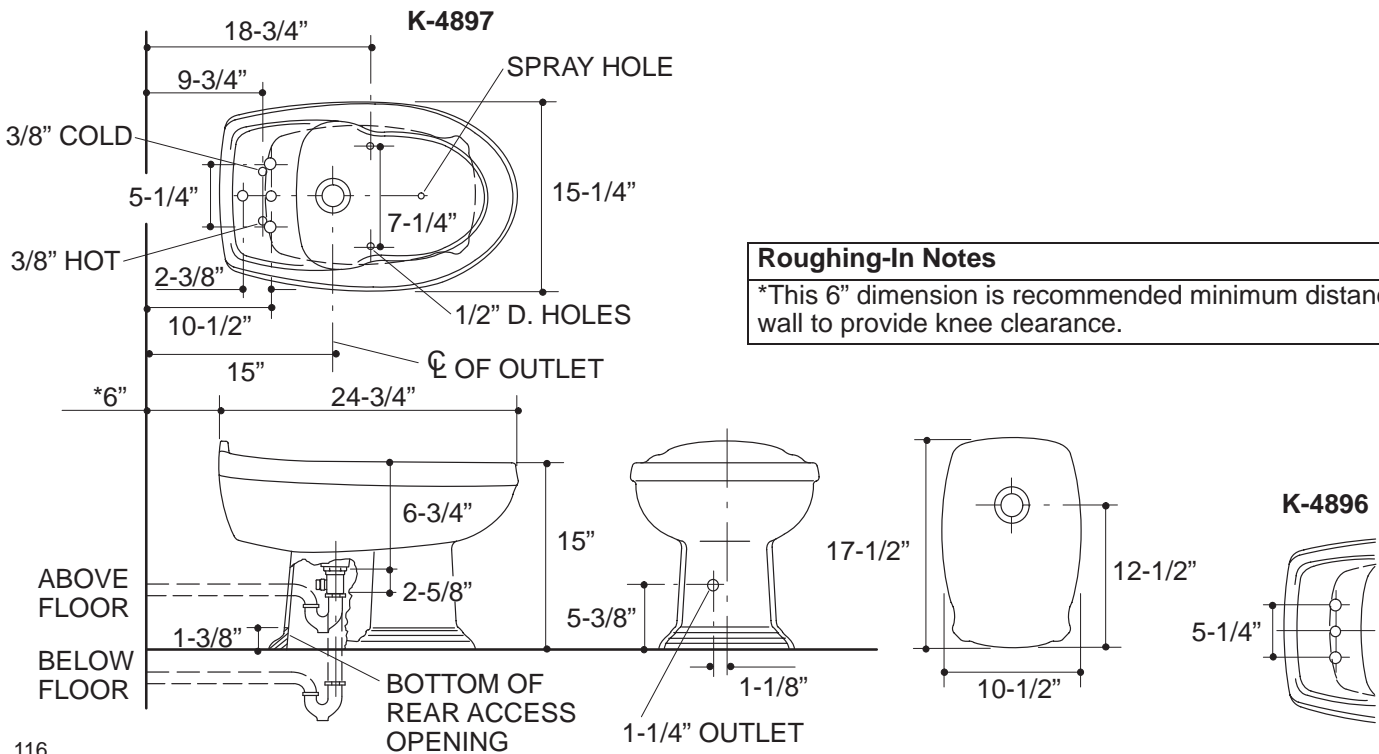
PORTRAIT™

Recommended Faucets For K-4897 Continued

K-15896-K	Coralais™ faucet OR	<input type="checkbox"/> CP	<input type="checkbox"/> PB	<input type="checkbox"/> Other _____
K-316	Finial Fundamentals faucet OR			<input type="checkbox"/> Other _____
K-8247	Taboret® faucet OR	<input type="checkbox"/> CP	<input type="checkbox"/> PB	
K-9274-K	Triton™ /Finesse™ / Flair Acrylic base faucet OR	<input type="checkbox"/> CP	<input type="checkbox"/> PB	
K-9295	Alterna™ faucet OR	<input type="checkbox"/> CP	<input type="checkbox"/> PB	<input type="checkbox"/> Other _____
K-16132	Revival™ faucet	<input type="checkbox"/> CP	<input type="checkbox"/> PB	<input type="checkbox"/> Other _____

PRODUCT INFORMATION

Fixture:			
Holes	K-4896	K-4897	
Faucet	1-3/8" D.	1-3/8" D.	
Pop-up	1-1/8" D.	1-1/8" D.	
Spray		3/4" D.	
Diverter		1-5/16" D.	
Configuration		Faucet deck	
Outlet		1-3/4" D.	
Included Components:			
Floor screws and bolt caps		52049	



Roughing-In Notes
 *This 6" dimension is recommended minimum distance to wall to provide knee clearance.

116

PRODUCT DIAGRAM