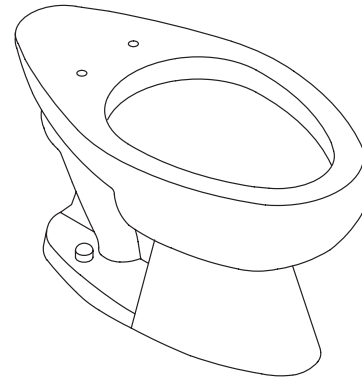


FEATURES

- 11" min. rough-in
- 1-1/2" rear spud
- Vitreous china
- Elongated bowl
- 1.6 gpf
- 11-3/8" x 10-3/8" water area
- 2-1/4" passageway
- 16-1/2" high bowl is ADA compliant with seat
- With bedpan lugs (-L)



CODES/STANDARDS APPLICABLE

Specified model meets or exceeds the following:

- ADA
- ASME/ANSI A112.19.2M
- ASME/ANSI A112.19.6M
- CABO/ANSI A117.1
- Energy Policy Act of 1992 (EPACT)

COLORS/FINISHES

- 0 White
- Other Refer to Fixtures Price Book for additional colors

Accessories:

- 0 White
- Other Refer to Fixtures Price Book for additional colors

SPECIFIED MODEL:

| Model | Description | Colors/Finishes | |
|----------|--|----------------------------------|-------------------------------------|
| K-4301 | Elongated bowl toilet | <input type="checkbox"/> 0 White | <input type="checkbox"/> Other_____ |
| K-4301-L | Elongated bowl toilet with bedpan lugs | <input type="checkbox"/> 0 White | <input type="checkbox"/> Other_____ |

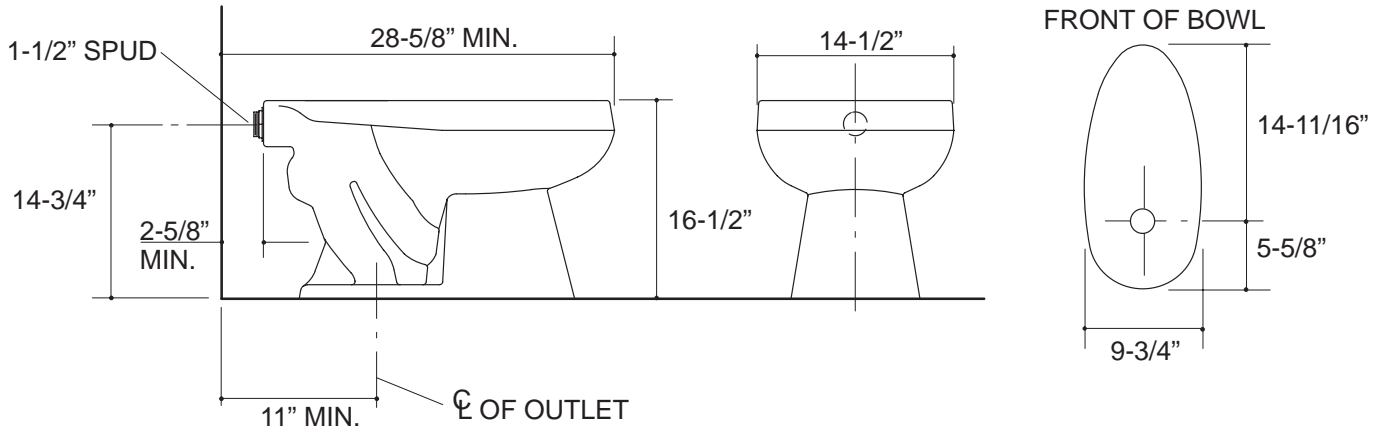
| Recommended Accessories | | | |
|-------------------------|---|----------------------------------|-------------------------------------|
| K-4670-C | Lustra™ open front seat | <input type="checkbox"/> 0 White | <input type="checkbox"/> Other_____ |
| K-4670-CA | Lustra™ open front seat (with anti-microbial agent) | <input type="checkbox"/> 0 White | |

PRODUCT SPECIFICATION:

The elongated bowl shall be 11" minimum rough-in with 1-1/2" rear spud. Bowl shall be made of vitreous china. Bowl shall be 1.6 gpf. Bowl shall have 11-3/8" x 10-3/8" water area. Bowl shall have 2-1/4" passageway. Bowl shall be ADA compliant with 16-1/2" high bowl with seat. Bowl shall have bedpan lugs (-L). Toilet shall be Kohler Model K-4301-_____-_____.

PRODUCT INFORMATION

| | |
|---|----------------------|
| ADA compliant. | |
| Fixture: | |
| Configuration | Rear spud, elongated |
| Gallons per flush | 1.6 gallons* |
| Spud size | 1-1/2" |
| Passageway | 2-1/4" |
| Water area | 11-3/8" x 10-3/8" |
| Water depth from rim | 6" |
| Seat post hole centers | 5-1/2" |
| * Designed to flush with 1.6 gallons of water when installed with a 1.6 gallon flush valve. | |
| Included Components: | |
| Spud | 18357 |
| Bolt caps (pr.) | 52048 |
| Flush valve requirements: Refer to manufacturer and local codes. | |



PRODUCT DIAGRAM